

## Bipod supports

### Technopolymer

#### MATERIAL

Glass-fibre reinforced polyamide based (PA) technopolymer, black colour, matte finish.

#### STANDARD EXECUTIONS

- **BAG2-120-A**: zinc-plated steel M10 screws, nuts and washers.
- **BAG2-120-SST**: AISI 304 stainless steel M10 screws, nuts and washers.

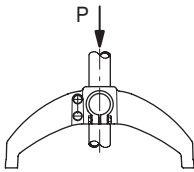
#### ASSEMBLY ON LEVELLING ELEMENTS

The bipod support bases are supplied with brass bosses, threaded pass-through hole for the assembly of the stem of the levelling element series L.S.A, L.V.A, L.V.F.

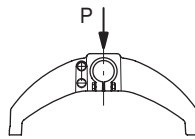
#### FEATURES

The rounded shapes with a modern and elegant aesthetic guarantee maximum cleanability in the event of liquids or dust falling from above.

Maximum tightening torque for screw assembly 35 Nm.

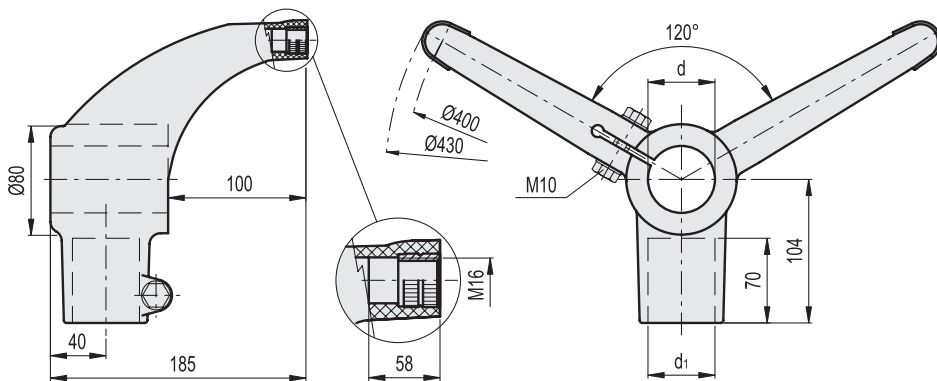


Retention force  
 $P = 2000 \text{ N}$



Max. static load  
 $P = 9800 \text{ N}$

Values obtained with tightening torque 35 Nm



#### BAG2-120-A

| Code   | Description      | d Tube (mm) | d Tube (GAS) | d1 Tube (mm) | d1 Tube (GAS) | ⚖️  |
|--------|------------------|-------------|--------------|--------------|---------------|-----|
| 419620 | BAG2-120-42-42-A | 42.4        | 1"1/4        | 42.4         | 1"1/4         | 740 |
| 419618 | BAG2-120-48-42-A | 48.3        | 1"1/2        | 42.4         | 1"1/4         | 730 |
| 419616 | BAG2-120-48-48-A | 48.3        | 1"1/2        | 48.3         | 1"1/2         | 720 |
| 419614 | BAG2-120-60-42-A | 60.3        | 2"           | 42.4         | 1"1/4         | 710 |
| 419612 | BAG2-120-60-48-A | 60.3        | 2"           | 48.3         | 1"1/2         | 700 |

#### BAG2-120-SST

STAINLESS STEEL

| Code   | Description        |
|--------|--------------------|
| 419621 | BAG2-120-42-42-SST |
| 419619 | BAG2-120-48-42-SST |
| 419617 | BAG2-120-48-48-SST |
| 419615 | BAG2-120-60-42-SST |
| 419613 | BAG2-120-60-48-SST |