

Connecting bar for GLA and GCA guides

Steel

MATERIAL

Zinc-plated steel.

SCREWS

Zinc-plated steel.

FEATURES AND APPLICATIONS

BDG connecting bar is used for connecting the profiles (Fig.1) of the different side guides (GLA) or central guides (GCA). It is supplied with 4 assembly grub screws M8x10 with hexagon socket.

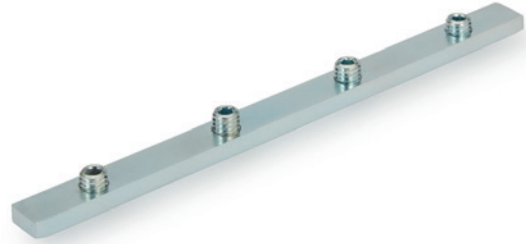
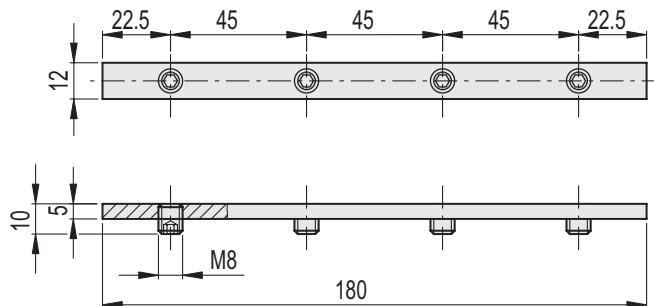
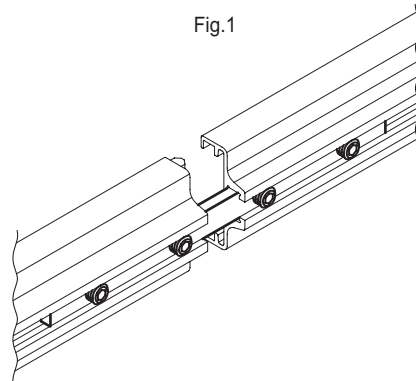


Fig.1



- 1
- 2
- 3
- 4
- 5
- 6
- 7
- 8
- 9
- 10
- 11
- 12
- 13
- 14
- 15
- 16
- 17
- 18
- 19
- 20

Conveyor components 19

| Code | Description | ⚖ |
|--------|-------------|----|
| 419141 | BDG-12-180 | 80 |