



Tube Clamp Connectors **16**

Screw-covers

for MSR., technopolymer

MATERIAL

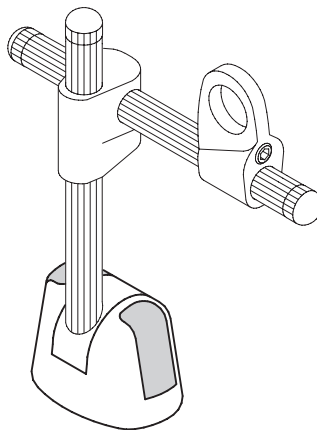
Polyamide based (PA) technopolymer in six colours, glossy finish.

ASSEMBLY

Press-fit assembly.



FMdesign



* Completare con l'indice del colore es.: 440011-C2 CC-MSR.60-C2

C1
 C2
 C3
 C4
 C5
 C6
 RAL7021 RAL2004 RAL7035 RAL1021 RAL5024 RAL3000

Code	Description	Screw-cover for	
440011-*	CC-MSR.60-*	MSR.60-B	1