

Bridge handle

Technopolymer with antimicrobial protection

MATERIAL

Glass-fibre reinforced polyamide based (PA) technopolymer, with silver ion additive on an inorganic base, RAL 7021 grey-black colour (C1) or RAL 9016 white (C16), matte finish.

SCREW-COVERS

- ECA.B SAN: polyamide based (PA) technopolymer, with silver ion additive on an inorganic base, RAL 7021 grey-black colour (C1) or RAL white (C16), matte finish. Supplied with the handle, press-fit assembly, removable by a screwdriver.

Available also as accessories sold separately (see table).

STANDARD EXECUTION

Pass-through holes for cylindrical-head screws with hexagon socket.

FEATURES AND APPLICATIONS

The special antimicrobial additive prevents the proliferation of microbes, bacteria and fungi on the product surface.

The controlled release mechanism of the silver ions keeps the antimicrobial characteristics unchanged over time, even after several washing cycles.

The high temperature resistance of the additive used allows its use even in sterilisation cycles (130°C).

Material samples have been tested in accredited laboratories, according to the standards of ISO 22196: 2011 (Measurement of antibacterial activity on plastics and other non-porous surfaces) which derives from the JIS Z 2801 standard.

The following microbe strains have been used for the tests:

- Escherichia Coli ATCC® 25922™ (antimicrobial activity 99,9%).
- Staphylococcus Aureus ATCC® 25923™ (antimicrobial activity 99,9%).
- Klebsiella Pneumoniae ATCC® 13883™ (antimicrobial activity 99,8%).
- Pseudomonas Aeruginosa ATCC® 27853™ (antimicrobial activity 99,9%).
- Candida Albicans ATCC® 10231™ (antimicrobial activity 98,9%).

Antimicrobial additives are suitable for all applications where sanitation and hygiene are fundamental, for example:

- medical and hospital equipment;
- disability aids;
- machines for food processing and pharmaceutical industry;
- equipment for catering service;
- urban and public fittings.



ERGOSTYLE® ELESA Original design

TECHNICAL DATA

Tensile stress and impact strength: the values F1, F2, L1 and L2 indicated in the table were obtained during breaking tests carried out with the appropriate dynamometric equipment under the test conditions shown in the figure with ambient temperature.

ACCESSORIES ON REQUEST

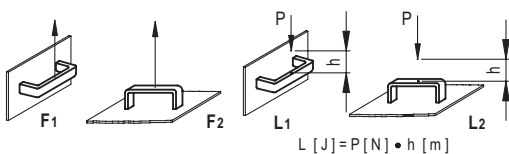
- ECA.B SAN: polyamide (PA) technopolymer screw-cover, with silver ion additive on an inorganic base, RAL 7021 grey-black colour (C1) or RAL 9016 white (C16) finish, press-fit assembly (see table).

C1 RAL7021
C16 RAL9016

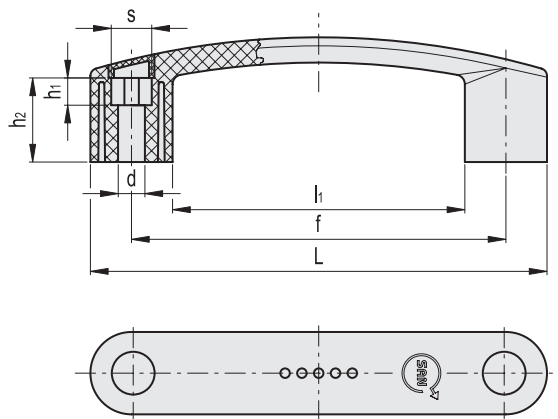
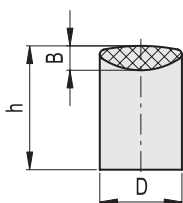
ECA.B SAN

Code	Description	Screw-cover for
29836-*	ECA.B1-SAN-*	EBP.140 / EBP.200

* Complete with colour index (C1, C16).



$$L [J] = P [N] \cdot h [m]$$



EBP-SAN

Code	Description	Code	Description	L	f	d	s	D	h	h1	h2	B	l1	F1 [N]	F2 [N]	L1 [J]	L2 [J]	⚖️
153211-C1	EBP.140-8-SAN-C1	153211-C16	EBP.140-8-SAN-C16	144	117±0.5	8.5	13	26.5	39	8.5	26.5	8.5	92	2700	1800	10	4	58
153223-C1	EBP.200-8-SAN-C1	153223-C16	EBP.200-8-SAN-C16	208.5	179±1	8.5	13	29	51	16	35	9.5	150.5	2200	1500	16	9	95