

Coupling attachments for safety handwheels, with friction bearing

SPECIFICATION

Steel
nitrided

Bearing surface ground and / or PTFE-coated

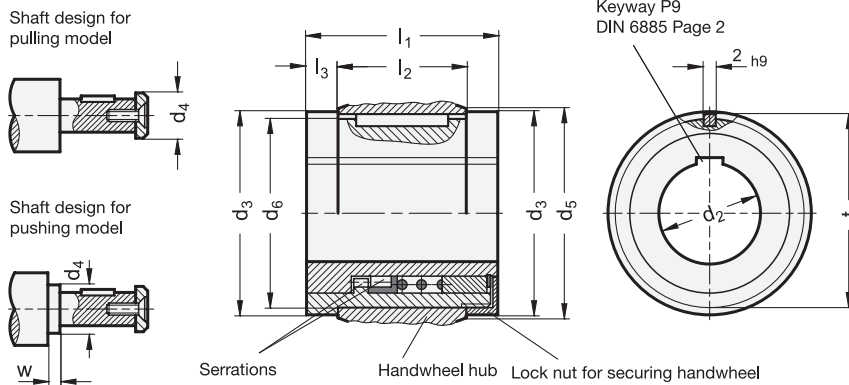
INFORMATION

The PTFE-coated surfaces of the coupling attachments GN 000.4 provide minimal friction between bearing surfaces even when lubrication is being neglected.

An oil-hole is provided which in the completely assembled safety handwheel connects with the wheel hub. The length of the wheel hub l_2 can be set by turning the clamp nut to the values given in the table.

TECHNICAL INFORMATION

- Keyway P9 DIN 6885 (see page A16)
- ISO-Fundamental Tolerances (see page A21)



GN 000.4

Description	No.	d1 Ø Handwheel GN 321 GN 322 GN 323	d2 H7	d3	d4 max.	d5 Mini- mum-Ø of handwheel hub	d6 -0.03 Bore-Ø of hub d6 H7	l1	l2 ±0.1	l3	t	w min.	⚖
GN 000.4-1-K12	1	125	K 12	28	17	29	25	28.5	18 19	5	26	4	81
GN 000.4-2-K14	2	140	K 14	32	21	33	29	32.5	19 20	6	30	4	123
GN 000.4-2-K16	2	140	K 16	32	21	33	29	32.5	19 20	6	30	4	110
GN 000.4-3-K18	3	160	K 18	38	26	39	35	36.5	24	6	36	4	190
GN 000.4-3-K20	3	200	K 20	38	26	39	35	36.5	24	6	36	4	173
GN 000.4-4-K22	4	250	K 22	45	30	46	41	47.5	28	12	42	4	349