

## Safety fold-away handles

### Technopolymer

#### MATERIAL

Glass-fibre reinforced polyamide based (PA) technopolymer handle, black colour, matte finish.

#### STANDARD EXECUTIONS

- **IRS.820:** black-oxide steel stud, glass-fibre reinforced technopolymer flat base for embedded mounting, black colour, black-oxide steel screw.
- **IRS.820-SST:** AISI 303 stainless steel double guide stud, glass-fibre reinforced technopolymer flat base for embedded mounting, black colour, AISI 303 stainless steel screw.

#### FEATURES AND APPLICATIONS

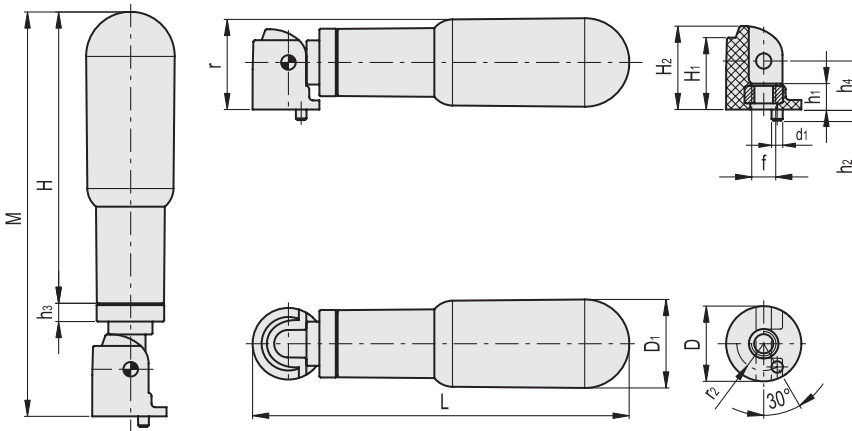
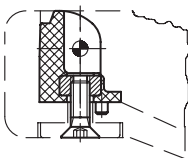
Handle pivots freely during operation: a system of coaxial bushings compensates return spring load.

The safety fold-away handle (ELESA patent) is provided with a special return mechanism "Fold-O-matic"® which automatically folds the handle into the retracted position when the operation has been completed. A light pressure on the handle in the direction of the handwheel axes is enough to bring it in the operation position allowing the operator to turn the handwheel freely.



ELESA Original design

Normal assembly example  
with embedded base



#### IRS.820

Code	Description	H	D	L	M	D1	H1	H2	r	f	h1	h2	h3	h4	d1	r2	△
28491	IRS.820/65 FOLD-O-MATIC	65	20	88	95	22	19	22	24	M6	7	3	4	13	3	7	73
28492	IRS.820/80 FOLD-O-MATIC	80	20	103	110	24	19	22	25	M6	7	3	4	13	3	7	80
28493	IRS.820/90 FOLD-O-MATIC	90	20	112	119	25	19	22	26	M6	7	3	4	13	3	7	87

#### IRS.820-SST

#### STAINLESS STEEL

Code	Description	H	D	L	M	D1	H1	H2	r	f	h1	h2	h3	h4	d1	r2	△
28496	IRS.820/65 FOLD-O-MATIC-SST	65	20	88	95	22	19	22	24	M6	7	3	4	13	3	7	73
28497	IRS.820/80 FOLD-O-MATIC-SST	80	20	103	110	24	19	22	25	M6	7	3	4	13	3	7	80
28498	IRS.820/90 FOLD-O-MATIC-SST	90	20	112	119	25	19	22	26	M6	7	3	4	13	3	7	87

