

Levelling feet

Polypropylene base, stainless steel stem

BASE

High-resilience polypropylene based (PP) technopolymer, black colour, matte finish.

ARTICULATED STEM

Threaded AISI 304 stainless steel with regulation hexagon.

STANDARD EXECUTIONS

- **LS.A-PP-SST**: without no-slip disk.
- **LS.A-PP-AS-SST**: with EPDM rubber no-slip disk, hardness 70 Shore A, supplied assembled to the base.

FEATURES AND APPLICATIONS

Polypropylene levelling elements are particularly suitable for those sectors where they can be in contact with chemical agents and/or for frequent washing with acidic or basic detergent solutions, such as in the chemical, process, pharmaceutical, food, textile and paper industry.

The particular assembling system of the no-slip disk to the base assures a perfect anchoring, preventing separation even in case of impact during transport or of adhesion (sticking) to the floor (see No-slip disks on page -).

ORDER INFORMATION

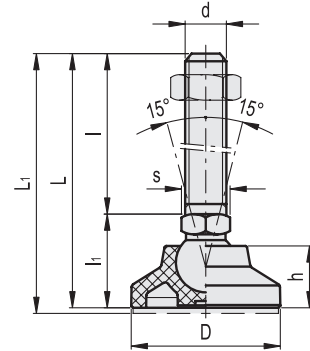
The levelling elements are supplied unassembled to make carriage and storage easier. The components (base and stem) are supplied in separate packing: less volume taken and better protection from scratches and dirt.

To order bases and stems separately, see:

- table of possible combinations Bases/Stems (see page

ACCESSORIES ON REQUEST

AISI 304 stainless steel nut (see Nuts NT. on page).



LS.A-PP-SST

LS.A-PP-AS-SST

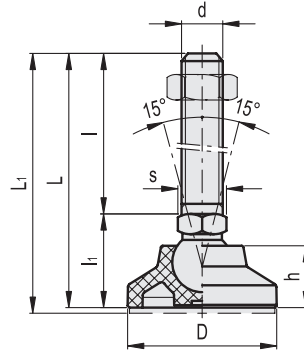
STAINLESS STEEL

Code	Description	Code	Description	D	d	L	L1#	l	li	h	s	Articulation Ø	[N]*	[N]**	⚖	#
373121	LS.A-40-PP-14-SST-M8x43	378121	LS.A-40-PP-14-AS-SST-M8x43	40	M8	68	71	43	25	17	14	14	2000	10000	42	49
373125	LS.A-40-PP-14-SST-M8x68	378125	LS.A-40-PP-14-AS-SST-M8x68	40	M8	93	96	68	25	17	14	14	2000	10000	52	59
373221	LS.A-40-PP-14-SST-M10x43	378221	LS.A-40-PP-14-AS-SST-M10x43	40	M10	68	71	43	25	17	14	14	2000	10000	52	59
373225	LS.A-40-PP-14-SST-M10x68	378225	LS.A-40-PP-14-AS-SST-M10x68	40	M10	93	96	68	25	17	14	14	2000	10000	65	72
373231	LS.A-40-PP-14-SST-M10x98	378231	LS.A-40-PP-14-AS-SST-M10x98	40	M10	123	126	98	25	17	14	14	2000	10000	79	86
373321	LS.A-40-PP-14-SST-M12x43	378321	LS.A-40-PP-14-AS-SST-M12x43	40	M12	68	71	43	25	17	14	14	2000	10000	62	69
373325	LS.A-40-PP-14-SST-M12x68	378325	LS.A-40-PP-14-AS-SST-M12x68	40	M12	93	96	68	25	17	14	14	2000	10000	80	87
373331	LS.A-40-PP-14-SST-M12x98	378331	LS.A-40-PP-14-AS-SST-M12x98	40	M12	123	126	98	25	17	14	14	2000	10000	102	109
373421	LS.A-40-PP-14-SST-M14x68	378421	LS.A-40-PP-14-AS-SST-M14x68	40	M14	93	96	68	25	17	14	14	2000	10000	95	102
373431	LS.A-40-PP-14-SST-M14x98	378431	LS.A-40-PP-14-AS-SST-M14x98	40	M14	123	126	98	25	17	14	14	2000	10000	116	123
373441	LS.A-40-PP-14-SST-M14x148	378441	LS.A-40-PP-14-AS-SST-M14x148	40	M14	173	176	148	25	17	14	14	2000	10000	199	206
373521	LS.A-40-PP-14-SST-M16x68	378521	LS.A-40-PP-14-AS-SST-M16x68	40	M16	93	96	68	25	17	16	14	2000	10000	125	132
373525	LS.A-40-PP-14-SST-M16x108	378525	LS.A-40-PP-14-AS-SST-M16x108	40	M16	133	136	108	25	17	16	14	2000	10000	179	186
373541	LS.A-40-PP-14-SST-M16x148	378541	LS.A-40-PP-14-AS-SST-M16x148	40	M16	173	176	148	25	17	16	14	2000	10000	232	239
373561	LS.A-40-PP-14-SST-M16x168	378561	LS.A-40-PP-14-AS-SST-M16x168	40	M16	193	196	168	25	17	16	14	2000	10000	259	266

* Max static load: is the value above which the load applied to the element may cause some plastic material breakage, in particular conditions of use. Obviously, a factor that takes into consideration the importance and the safety level of the specific application must be applied to this value.

** Load at breakage: is the value above which the load applied to the element may quickly cause some plastic material breakage, in particular conditions of use.

Data with no-slip disk mounted.



LS.A-PP-SST

LS.A-PP-AS-SST

STAINLESS STEEL

Code	Description	Code	Description	D	d	L	Li#	li	h	s	Articulation Ø	[N]*	[N]**	#	
374121	LS.A-50-PP-14-SST-M8x43	379121	LS.A-50-PP-14-AS-SST-M8x43	50	M8	70	73	43	27	19	14	14	210012000	49	61
374125	LS.A-50-PP-14-SST-M8x68	379125	LS.A-50-PP-14-AS-SST-M8x68	50	M8	95	98	68	27	19	14	14	210012000	59	71
374221	LS.A-50-PP-14-SST-M10x43	379221	LS.A-50-PP-14-AS-SST-M10x43	50	M10	70	73	43	27	19	14	14	210012000	59	71
374225	LS.A-50-PP-14-SST-M10x68	379225	LS.A-50-PP-14-AS-SST-M10x68	50	M10	95	98	68	27	19	14	14	210012000	72	84
374231	LS.A-50-PP-14-SST-M10x98	379231	LS.A-50-PP-14-AS-SST-M10x98	50	M10	125	128	98	27	19	14	14	210012000	86	98
374321	LS.A-50-PP-14-SST-M12x43	379321	LS.A-50-PP-14-AS-SST-M12x43	50	M12	70	73	43	27	19	14	14	210012000	69	81
374325	LS.A-50-PP-14-SST-M12x68	379325	LS.A-50-PP-14-AS-SST-M12x68	50	M12	95	98	68	27	19	14	14	210012000	87	99
374331	LS.A-50-PP-14-SST-M12x98	379331	LS.A-50-PP-14-AS-SST-M12x98	50	M12	125	128	98	27	19	14	14	210012000	109	121
374421	LS.A-50-PP-14-SST-M14x68	379421	LS.A-50-PP-14-AS-SST-M14x68	50	M14	95	98	68	27	19	14	14	210012000	102	114
374431	LS.A-50-PP-14-SST-M14x98	379431	LS.A-50-PP-14-AS-SST-M14x98	50	M14	125	128	98	27	19	14	14	210012000	123	135
374441	LS.A-50-PP-14-SST-M14x148	379441	LS.A-50-PP-14-AS-SST-M14x148	50	M14	175	178	148	27	19	14	14	210012000	206	218
374521	LS.A-50-PP-14-SST-M16x68	379521	LS.A-50-PP-14-AS-SST-M16x68	50	M16	95	98	68	27	19	16	14	210012000	132	144
374525	LS.A-50-PP-14-SST-M16x108	379525	LS.A-50-PP-14-AS-SST-M16x108	50	M16	135	138	108	27	19	16	14	210012000	185	197
374541	LS.A-50-PP-14-SST-M16x148	379541	LS.A-50-PP-14-AS-SST-M16x148	50	M16	175	178	148	27	19	16	14	210012000	239	251
374561	LS.A-50-PP-14-SST-M16x168	379561	LS.A-50-PP-14-AS-SST-M16x168	50	M16	195	198	168	27	19	16	14	210012000	266	278
375121	LS.A-60-PP-14-SST-M8x43	380121	LS.A-60-PP-14-AS-SST-M8x43	60	M8	77	80	43	34	24	14	14	230013500	56	68
375125	LS.A-60-PP-14-SST-M8x68	380125	LS.A-60-PP-14-AS-SST-M8x68	60	M8	102	105	68	34	24	14	14	230013500	66	78
375221	LS.A-60-PP-14-SST-M10x43	380221	LS.A-60-PP-14-AS-SST-M10x43	60	M10	77	80	43	34	24	14	14	230013500	66	78
375225	LS.A-60-PP-14-SST-M10x68	380225	LS.A-60-PP-14-AS-SST-M10x68	60	M10	102	105	68	34	24	14	14	230013500	79	91
375231	LS.A-60-PP-14-SST-M10x98	380231	LS.A-60-PP-14-AS-SST-M10x98	60	M10	132	135	98	34	24	14	14	230013500	93	105
375321	LS.A-60-PP-14-SST-M12x43	380321	LS.A-60-PP-14-AS-SST-M12x43	60	M12	77	80	43	34	24	14	14	230013500	76	88
375325	LS.A-60-PP-14-SST-M12x68	380325	LS.A-60-PP-14-AS-SST-M12x68	60	M12	102	105	68	34	24	14	14	230013500	94	106
375331	LS.A-60-PP-14-SST-M12x98	380331	LS.A-60-PP-14-AS-SST-M12x98	60	M12	132	135	98	34	24	14	14	230013500	116	128
375421	LS.A-60-PP-14-SST-M14x68	380421	LS.A-60-PP-14-AS-SST-M14x68	60	M14	102	105	68	34	24	14	14	230013500	109	121
375431	LS.A-60-PP-14-SST-M14x98	380431	LS.A-60-PP-14-AS-SST-M14x98	60	M14	132	135	98	34	24	14	14	230013500	130	142
375441	LS.A-60-PP-14-SST-M14x148	380441	LS.A-60-PP-14-AS-SST-M14x148	60	M14	182	185	148	34	24	14	14	230013500	213	225
375521	LS.A-60-PP-14-SST-M16x68	380521	LS.A-60-PP-14-AS-SST-M16x68	60	M16	102	105	68	34	24	16	14	230013500	139	151
375525	LS.A-60-PP-14-SST-M16x108	380525	LS.A-60-PP-14-AS-SST-M16x108	60	M16	142	145	108	34	24	16	14	230013500	192	204
375541	LS.A-60-PP-14-SST-M16x148	380541	LS.A-60-PP-14-AS-SST-M16x148	60	M16	182	185	148	34	24	16	14	230013500	246	258
375561	LS.A-60-PP-14-SST-M16x168	380561	LS.A-60-PP-14-AS-SST-M16x168	60	M16	202	205	168	34	24	16	14	230013500	273	285

* Max static load: is the value above which the load applied to the element may cause some plastic material breakage, in particular conditions of use. Obviously, a factor that takes into consideration the importance and the safety level of the specific application must be applied to this value.

** Load at breakage: is the value above which the load applied to the element may quickly cause some plastic material breakage, in particular conditions of use.

Data with no-slip disk mounted.



Levelling elements 11