

Levelling feet

Technopolymer base, stainless steel stem

BASE

Glass-fibre reinforced polyamide based (PA) technopolymer, black colour, matte finish.

ARTICULATED STEM

Threaded AISI 304 stainless steel with regulation hexagon.

STANDARD EXECUTIONS

- **LS.A-SST**: without no-slip disk.
- **LS.A-AS-SST**: with NBR rubber no-slip disk, hardness 70 Shore A, supplied assembled to the base.

FEATURES

The particular assembling system of the no-slip disk to the base assures a perfect anchoring, preventing separation even in case of impact during transport or of adhesion (sticking) to the floor (see No-slip disk).

ORDER INFORMATION

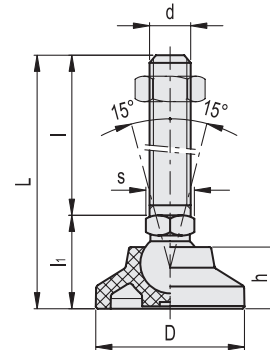
The levelling elements are supplied unassembled to make carriage and storage easier. The components (base and stem) are supplied in separate packing; less volume taken and better protection from scratches and dirt.

To order bases and stems separately, see:

- table of possible combinations Bases/Stems
- codes of the Bases
- codes of the Stems

ACCESSORIES ON REQUEST

AISI 304 stainless steel nut (see Nuts NT).

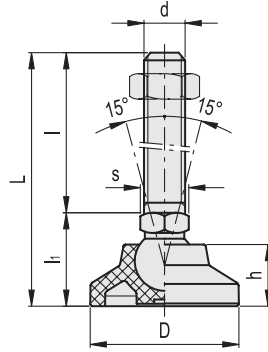


LS.A-SST

STAINLESS STEEL

Code	Description	D	d	L	l	li	h	s	Articulation Ø	Max. limit static load* [N]	⚖️
351121	LS.A-25-14-SST-M8x43	25	M8	67	43	24	12	14	14	7000	33
351125	LS.A-25-14-SST-M8x68	25	M8	92	68	24	12	14	14	7000	43
351221	LS.A-25-14-SST-M10x43	25	M10	67	43	24	12	14	14	7000	43
351225	LS.A-25-14-SST-M10x68	25	M10	92	68	24	12	14	14	7000	56
351231	LS.A-25-14-SST-M10x98	25	M10	122	98	24	12	14	14	7000	70
351321	LS.A-25-14-SST-M12x43	25	M12	67	43	24	12	14	14	7000	53
351325	LS.A-25-14-SST-M12x68	25	M12	92	68	24	12	14	14	7000	71
351331	LS.A-25-14-SST-M12x98	25	M12	122	98	24	12	14	14	7000	93
351421	LS.A-25-14-SST-M14x68	25	M14	92	68	24	12	14	14	7000	86
351431	LS.A-25-14-SST-M14x98	25	M14	122	98	24	12	14	14	7000	107
351441	LS.A-25-14-SST-M14x148	25	M14	172	148	24	12	14	14	7000	190
351521	LS.A-25-14-SST-M16x68	25	M16	92	68	24	12	16	14	7000	116
351525	LS.A-25-14-SST-M16x108	25	M16	132	108	24	12	16	14	7000	167
351541	LS.A-25-14-SST-M16x148	25	M16	172	148	24	12	16	14	7000	220
351561	LS.A-25-14-SST-M16x168	25	M16	192	168	24	12	16	14	7000	247
352121	LS.A-32-14-SST-M8x43	32	M8	68	43	25	15	14	14	9000	38
352125	LS.A-32-14-SST-M8x68	32	M8	93	68	25	15	14	14	9000	48
352221	LS.A-32-14-SST-M10x43	32	M10	68	43	25	15	14	14	9000	48
352225	LS.A-32-14-SST-M10x68	32	M10	93	68	25	15	14	14	9000	61
352231	LS.A-32-14-SST-M10x98	32	M10	123	98	25	15	14	14	9000	75
352321	LS.A-32-14-SST-M12x43	32	M12	68	43	25	15	14	14	9000	58
352325	LS.A-32-14-SST-M12x68	32	M12	93	68	25	15	14	14	9000	78
352331	LS.A-32-14-SST-M12x98	32	M12	123	98	25	15	14	14	9000	98
352421	LS.A-32-14-SST-M14x68	32	M14	93	68	25	15	14	14	9000	95
352431	LS.A-32-14-SST-M14x98	32	M14	123	98	25	15	14	14	9000	116
352441	LS.A-32-14-SST-M14x148	32	M14	173	148	25	15	14	14	9000	199
352521	LS.A-32-14-SST-M16x68	32	M16	93	68	25	15	16	14	9000	121
352525	LS.A-32-14-SST-M16x108	32	M16	133	108	25	15	16	14	9000	175
352541	LS.A-32-14-SST-M16x148	32	M16	173	148	25	15	16	14	9000	228
352561	LS.A-32-14-SST-M16x168	32	M16	193	168	25	15	16	14	9000	255

* The max static load is the value above which the load applied to the element may cause some plastic material breakage, in particular conditions of use. Obviously, a factor that takes into consideration the importance and the safety level of the specific application must be applied to this value.



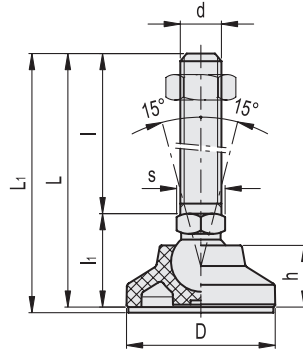
LS.A-SST

STAINLESS STEEL

Code	Description	D	d	L	l	li	h	s	Articulation Ø	Max. limit static load* [N]	⚖️
353121	LS.A-40-14-SST-M8x43	40	M8	68	43	25	17	14	14	13000	42
353125	LS.A-40-14-SST-M8x68	40	M8	93	68	25	17	14	14	13000	52
353221	LS.A-40-14-SST-M10x43	40	M10	68	43	25	17	14	14	13000	52
353225	LS.A-40-14-SST-M10x68	40	M10	93	68	25	17	14	14	13000	65
353231	LS.A-40-14-SST-M10x98	40	M10	123	98	25	17	14	14	13000	79
353321	LS.A-40-14-SST-M12x43	40	M12	68	43	25	17	14	14	13000	62
353325	LS.A-40-14-SST-M12x68	40	M12	93	68	25	17	14	14	13000	80
353331	LS.A-40-14-SST-M12x98	40	M12	123	98	25	17	14	14	13000	102
353421	LS.A-40-14-SST-M14x68	40	M14	93	68	25	17	14	14	13000	95
353431	LS.A-40-14-SST-M14x98	40	M14	123	98	25	17	14	14	13000	116
353441	LS.A-40-14-SST-M14x148	40	M14	173	148	25	17	14	14	13000	199
353521	LS.A-40-14-SST-M16x68	40	M16	93	68	25	17	16	14	13000	125
353525	LS.A-40-14-SST-M16x108	40	M16	133	108	25	17	16	14	13000	179
353541	LS.A-40-14-SST-M16x148	40	M16	173	148	25	17	16	14	13000	232
353561	LS.A-40-14-SST-M16x168	40	M16	193	168	25	17	16	14	13000	259
354121	LS.A-50-14-SST-M8x43	50	M8	70	43	27	19	14	14	13000	49
354125	LS.A-50-14-SST-M8x68	50	M8	95	68	27	19	14	14	13000	59
354221	LS.A-50-14-SST-M10x43	50	M10	70	43	27	19	14	14	13000	59
354225	LS.A-50-14-SST-M10x68	50	M10	95	68	27	19	14	14	13000	72
354231	LS.A-50-14-SST-M10x98	50	M10	125	98	27	19	14	14	13000	86
354321	LS.A-50-14-SST-M12x43	50	M12	70	43	27	19	14	14	13000	69
354325	LS.A-50-14-SST-M12x68	50	M12	95	68	27	19	14	14	13000	87
354331	LS.A-50-14-SST-M12x98	50	M12	125	98	27	19	14	14	13000	109
354421	LS.A-50-14-SST-M14x68	50	M14	95	68	27	19	14	14	13000	102
354431	LS.A-50-14-SST-M14x98	50	M14	125	98	27	19	14	14	13000	123
354441	LS.A-50-14-SST-M14x148	50	M14	175	148	27	19	14	14	13000	206
354521	LS.A-50-14-SST-M16x68	50	M16	95	68	27	19	16	14	13000	132
354525	LS.A-50-14-SST-M16x108	50	M16	135	108	27	19	16	14	13000	185
354541	LS.A-50-14-SST-M16x148	50	M16	175	148	27	19	16	14	13000	239
354561	LS.A-50-14-SST-M16x168	50	M16	195	168	27	19	16	14	13000	266
355121	LS.A-60-14-SST-M8x43	60	M8	76	43	33	24	14	14	14000	64
355125	LS.A-60-14-SST-M8x68	60	M8	101	68	33	24	14	14	14000	76
355221	LS.A-60-14-SST-M10x43	60	M10	76	43	33	24	14	14	14000	73
355225	LS.A-60-14-SST-M10x68	60	M10	101	68	33	24	14	14	14000	86
355231	LS.A-60-14-SST-M10x98	60	M10	131	98	33	24	14	14	14000	100
355321	LS.A-60-14-SST-M12x43	60	M12	76	43	33	24	14	14	14000	83
355325	LS.A-60-14-SST-M12x68	60	M12	101	68	33	24	14	14	14000	101
355331	LS.A-60-14-SST-M12x98	60	M12	131	98	33	24	14	14	14000	123
355421	LS.A-60-14-SST-M14x68	60	M14	101	68	33	24	14	14	14000	124
355431	LS.A-60-14-SST-M14x98	60	M14	131	98	33	24	14	14	14000	145
355441	LS.A-60-14-SST-M14x148	60	M14	181	148	33	24	14	14	14000	228
355521	LS.A-60-14-SST-M16x68	60	M16	101	68	33	24	16	14	14000	146
355525	LS.A-60-14-SST-M16x108	60	M16	141	108	33	24	16	14	14000	200
355541	LS.A-60-14-SST-M16x148	60	M16	181	148	33	24	16	14	14000	253
355561	LS.A-60-14-SST-M16x168	60	M16	201	168	33	24	16	14	14000	280
355621	LS.A-60-24-SST-M16x58	60	M16	101	58	43	24	24	24	18000	209
355625	LS.A-60-24-SST-M16x98	60	M16	141	98	43	24	24	24	18000	262
355721	LS.A-60-24-SST-M16x138	60	M16	181	138	43	24	24	24	18000	313
355725	LS.A-60-24-SST-M16x158	60	M16	201	158	43	24	24	24	18000	341
355731	LS.A-60-24-SST-M20x98	60	M20	141	98	43	24	24	24	18000	334
355821	LS.A-60-24-SST-M20x138	60	M20	181	138	43	24	24	24	18000	415
355825	LS.A-60-24-SST-M20x158	60	M20	201	158	43	24	24	24	18000	455
355831	LS.A-60-24-SST-M20x198	60	M20	241	198	43	24	24	24	18000	541
355921	LS.A-60-24-SST-M24x98	60	M24	141	98	43	24	24	24	18000	435
355931	LS.A-60-24-SST-M24x158	60	M24	201	158	43	24	24	24	18000	612
355941	LS.A-60-24-SST-M24x198	60	M24	241	198	43	24	24	24	18000	734

* The max static load is the value above which the load applied to the element may cause some plastic material breakage, in particular conditions of use. Obviously, a factor that takes into consideration the importance and the safety level of the specific application must be applied to this value.



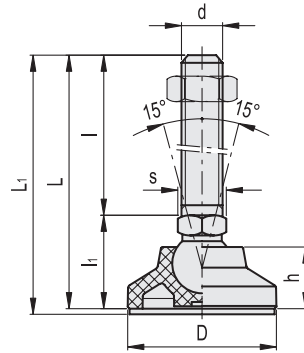


LS.A-AS-SST

STAINLESS STEEL

Code	Description	D	d	L	Li	l	li	h	s	Articulation Ø	Max. limit static load* [N]	Δ
356121	LS.A-25-14-AS-SST-M8x43	25	M8	67	70	43	24	12	14	14	7000	35
356125	LS.A-25-14-AS-SST-M8x68	25	M8	92	95	68	24	12	14	14	7000	45
356221	LS.A-25-14-AS-SST-M10x43	25	M10	67	70	43	24	12	14	14	7000	45
356225	LS.A-25-14-AS-SST-M10x68	25	M10	92	95	68	24	12	14	14	7000	58
356231	LS.A-25-14-AS-SST-M10x98	25	M10	122	125	98	24	12	14	14	7000	72
356321	LS.A-25-14-AS-SST-M12x43	25	M12	67	70	43	24	12	14	14	7000	55
356325	LS.A-25-14-AS-SST-M12x68	25	M12	92	95	68	24	12	14	14	7000	73
356331	LS.A-25-14-AS-SST-M12x98	25	M12	122	125	98	24	12	14	14	7000	95
356421	LS.A-25-14-AS-SST-M14X68	25	M14	92	95	68	24	12	14	14	7000	88
356431	LS.A-25-14-AS-SST-M14X98	25	M14	122	125	98	24	12	14	14	7000	109
356441	LS.A-25-14-AS-SST-M14X148	25	M14	172	175	148	24	12	14	14	7000	192
356521	LS.A-25-14-AS-SST-M16x68	25	M16	92	95	68	24	12	16	14	7000	118
356525	LS.A-25-14-AS-SST-M16x108	25	M16	132	135	108	24	12	16	14	7000	169
356541	LS.A-25-14-AS-SST-M16x148	25	M16	172	175	148	24	12	16	14	7000	222
356561	LS.A-25-14-AS-SST-M16x168	25	M16	192	195	168	24	12	16	14	7000	249
357121	LS.A-32-14-AS-SST-M8x43	32	M8	68	71	43	25	15	14	14	9000	42
357125	LS.A-32-14-AS-SST-M8x68	32	M8	93	96	68	25	15	14	14	9000	52
357221	LS.A-32-14-AS-SST-M10x43	32	M10	68	71	43	25	15	14	14	9000	52
357225	LS.A-32-14-AS-SST-M10x68	32	M10	93	96	68	25	15	14	14	9000	65
357231	LS.A-32-14-AS-SST-M10x98	32	M10	123	126	98	25	15	14	14	9000	79
357321	LS.A-32-14-AS-SST-M12x43	32	M12	68	71	43	25	15	14	14	9000	62
357325	LS.A-32-14-AS-SST-M12x68	32	M12	93	96	68	25	15	14	14	9000	82
357331	LS.A-32-14-AS-SST-M12x98	32	M12	123	126	98	25	15	14	14	9000	102
357421	LS.A-32-14-AS-SST-M14X68	32	M14	93	96	68	25	15	14	14	9000	99
357431	LS.A-32-14-AS-SST-M14X98	32	M14	123	126	98	25	15	14	14	9000	120
357441	LS.A-32-14-AS-SST-M14X148	32	M14	173	176	148	25	15	14	14	9000	203
357521	LS.A-32-14-AS-SST-M16x68	32	M16	93	97	68	25	15	16	14	9000	125
357525	LS.A-32-14-AS-SST-M16x108	32	M16	133	137	108	25	15	16	14	9000	179
357541	LS.A-32-14-AS-SST-M16x148	32	M16	173	176	148	25	15	16	14	9000	232
357561	LS.A-32-14-AS-SST-M16x168	32	M16	193	196	168	25	15	16	14	9000	259
358121	LS.A-40-14-AS-SST-M8x43	40	M8	68	71	43	25	17	14	14	13000	49
358125	LS.A-40-14-AS-SST-M8x68	40	M8	93	96	68	25	17	14	14	13000	59
358221	LS.A-40-14-AS-SST-M10x43	40	M10	68	71	43	25	17	14	14	13000	59
358225	LS.A-40-14-AS-SST-M10x68	40	M10	93	96	68	25	17	14	14	13000	72
358231	LS.A-40-14-AS-SST-M10x98	40	M10	123	126	98	25	17	14	14	13000	86
358321	LS.A-40-14-AS-SST-M12x43	40	M12	68	71	43	25	17	14	14	13000	69
358325	LS.A-40-14-AS-SST-M12x68	40	M12	93	96	68	25	17	14	14	13000	87
358331	LS.A-40-14-AS-SST-M12x98	40	M12	123	126	98	25	17	14	14	13000	109
358421	LS.A-40-14-AS-SST-M14X68	40	M14	93	96	68	25	17	14	14	13000	102
358431	LS.A-40-14-AS-SST-M14X98	40	M14	123	126	98	25	17	14	14	13000	123
358441	LS.A-40-14-AS-SST-M14X148	40	M14	173	176	148	25	17	14	14	13000	206
358521	LS.A-40-14-AS-SST-M16x68	40	M16	93	96	68	25	17	16	14	13000	132
358525	LS.A-40-14-AS-SST-M16x108	40	M16	133	136	108	25	17	16	14	13000	186
358541	LS.A-40-14-AS-SST-M16x148	40	M16	173	176	148	25	17	16	14	13000	239
358561	LS.A-40-14-AS-SST-M16x168	40	M16	193	196	168	25	17	16	14	13000	266

* The max static load is the value above which the load applied to the element may cause some plastic material breakage, in particular conditions of use. Obviously, a factor that takes into consideration the importance and the safety level of the specific application must be applied to this value.



LS.A-AS-SST

STAINLESS STEEL

Code	Description	D	d	L	Li	l	li	h	s	Articulation Ø	Max. limit static load* [N]	⚖️
359121	LS.A-50-14-AS-SST-M8x43	50	M8	70	73	43	27	19	14	14	13000	61
359125	LS.A-50-14-AS-SST-M8x68	50	M8	95	98	68	27	19	14	14	13000	71
359221	LS.A-50-14-AS-SST-M10x43	50	M10	70	73	43	27	19	14	14	13000	71
359225	LS.A-50-14-AS-SST-M10x68	50	M10	95	98	68	27	19	14	14	13000	84
359231	LS.A-50-14-AS-SST-M10x98	50	M10	125	128	98	27	19	14	14	13000	98
359321	LS.A-50-14-AS-SST-M12x43	50	M12	70	73	43	27	19	14	14	13000	81
359325	LS.A-50-14-AS-SST-M12x68	50	M12	95	98	68	27	19	14	14	13000	99
359331	LS.A-50-14-AS-SST-M12x98	50	M12	125	128	98	27	19	14	14	13000	121
359421	LS.A-50-14-AS-SST-M14x68	50	M14	95	98	68	27	19	14	14	13000	114
359431	LS.A-50-14-AS-SST-M14x98	50	M14	125	128	98	27	19	14	14	13000	135
359441	LS.A-50-14-AS-SST-M14x148	50	M14	175	178	148	27	19	14	14	13000	218
359521	LS.A-50-14-AS-SST-M16x68	50	M16	95	98	68	27	19	16	14	13000	144
359525	LS.A-50-14-AS-SST-M16x108	50	M16	135	138	108	27	19	16	14	13000	197
359541	LS.A-50-14-AS-SST-M16x148	50	M16	175	178	148	27	19	16	14	13000	251
359561	LS.A-50-14-AS-SST-M16x168	50	M16	195	198	168	27	19	16	14	13000	278
359621	LS.A-60-14-AS-SST-M8x43	60	M8	76	79	43	33	24	14	14	14000	81
359625	LS.A-60-14-AS-SST-M8x68	60	M8	101	104	68	33	24	14	14	14000	93
359631	LS.A-60-14-AS-SST-M10x43	60	M10	76	79	43	33	24	14	14	14000	90
359635	LS.A-60-14-AS-SST-M10x68	60	M10	101	104	68	33	24	14	14	14000	103
359641	LS.A-60-14-AS-SST-M10x98	60	M10	131	134	98	33	24	14	14	14000	117
359645	LS.A-60-14-AS-SST-M12x43	60	M12	76	79	43	33	24	14	14	14000	100
359651	LS.A-60-14-AS-SST-M12x68	60	M12	101	104	68	33	24	14	14	14000	118
359655	LS.A-60-14-AS-SST-M12x98	60	M12	131	134	98	33	24	14	14	14000	140
359661	LS.A-60-14-AS-SST-M14x68	60	M14	101	104	68	33	24	14	14	14000	141
359665	LS.A-60-14-AS-SST-M14x98	60	M14	131	134	98	33	24	14	14	14000	162
359671	LS.A-60-14-AS-SST-M14x148	60	M14	181	184	148	33	24	14	14	14000	245
359675	LS.A-60-14-AS-SST-M16x68	60	M16	101	104	68	33	24	16	14	14000	163
359681	LS.A-60-14-AS-SST-M16x108	60	M16	141	144	108	33	24	16	14	14000	217
359685	LS.A-60-14-AS-SST-M16x148	60	M16	181	184	148	33	24	16	14	14000	270
359691	LS.A-60-14-AS-SST-M16x168	60	M16	201	204	168	33	24	16	14	14000	297
359695	LS.A-60-24-AS-SST-M16x58	60	M16	101	104	58	43	24	24	24	18000	226
359701	LS.A-60-24-AS-SST-M16x98	60	M16	141	144	98	43	24	24	24	18000	279
359705	LS.A-60-24-AS-SST-M16x138	60	M16	181	184	138	43	24	24	24	18000	330
359711	LS.A-60-24-AS-SST-M16x158	60	M16	201	204	158	43	24	24	24	18000	358
359715	LS.A-60-24-AS-SST-M20x98	60	M20	141	144	98	43	24	24	24	18000	351
359721	LS.A-60-24-AS-SST-M20x138	60	M20	181	184	138	43	24	24	24	18000	432
359725	LS.A-60-24-AS-SST-M20x158	60	M20	201	204	158	43	24	24	24	18000	472
359731	LS.A-60-24-AS-SST-M20x198	60	M20	241	244	198	43	24	24	24	18000	558
359735	LS.A-60-24-AS-SST-M24x98	60	M24	141	144	98	43	24	24	24	18000	452
359741	LS.A-60-24-AS-SST-M24x158	60	M24	201	204	158	43	24	24	24	18000	629
359745	LS.A-60-24-AS-SST-M24x198	60	M24	241	244	198	43	24	24	24	18000	751

* The max static load is the value above which the load applied to the element may cause some plastic material breakage, in particular conditions of use. Obviously, a factor that takes into consideration the importance and the safety level of the specific application must be applied to this value.

