

Adjustable feet

Visually Detectable technopolymer base, stainless steel stem

BASE

Glass-fibre reinforced polyamide based (PA) technopolymer, RAL 5005 blue colour, matte finish.

Produced from FDA compliant raw material (FDA CFR.21 and EU 10/2011).

ARTICULATED STEM

Threaded AISI 304 stainless steel with adjusting square.

STANDARD EXECUTIONS

- **LSQ.A-SST-VD**: without no-slip disk.
- **LSQ.A-AS-SST-VD**: with NBR rubber no-slip disk, hardness 70 Shore A, supplied assembled to the base.

FEATURES AND APPLICATIONS

The RAL 5005 blue colour is easily visible in case of accidental food contamination.

The particular assembling system of the no-slip disk to the base assures a perfect anchoring, preventing separation even in case of impact during transport or of adhesion (sticking) to the floor (see No-slip disk).

ORDER INFORMATION

The levelling feet are supplied unassembled to make carriage and storage easier. The components (base and stem) are supplied in separate packing: less volume taken and better protection from scratches and dirt.

To order bases and stems separately, see:

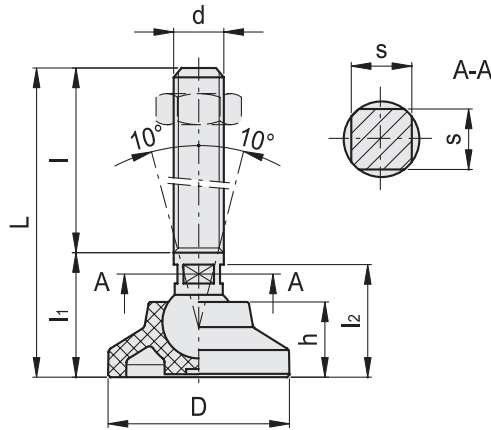
- table of possible combinations Bases/Stems
- the codes of the Bases
- the codes of the Stems

ACCESSORIES ON REQUEST

AISI 304 stainless steel nut (see Nuts NT.).



ELESA Original design



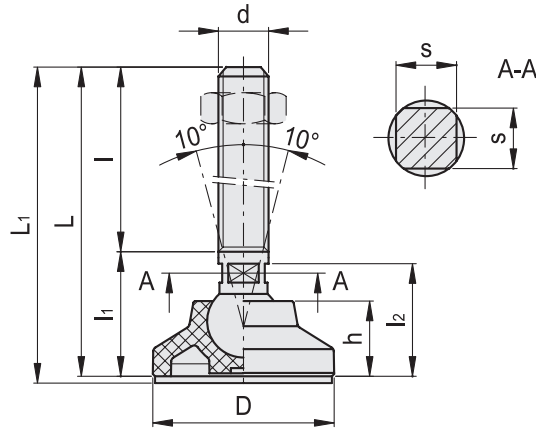
LSQ.A-SST-VD

STAINLESS STEEL

Code	Description	D	d	L	l	l1	l2	h	s	Articulation Ø	Max. limit static load* [N]	⚖️
187151	LSQ.A-25-14-SST-M16x68-VD	25	M16	92	68	24	22.5	12	12	14	5000	100
187153	LSQ.A-25-14-SST-M16x108-VD	25	M16	132	108	24	22.5	12	12	14	5000	164
187155	LSQ.A-25-14-SST-M16x148-VD	25	M16	172	148	24	22.5	12	12	14	5000	228
187157	LSQ.A-25-14-SST-M16x168-VD	25	M16	192	168	24	22.5	12	12	14	5000	260
187251	LSQ.A-32-14-SST-M16x68-VD	32	M16	92	68	24	22.5	15	12	14	7000	104
187253	LSQ.A-32-14-SST-M16x108-VD	32	M16	132	108	24	22.5	15	12	14	7000	168
187255	LSQ.A-32-14-SST-M16x148-VD	32	M16	172	148	24	22.5	15	12	14	7000	232
187257	LSQ.A-32-14-SST-M16x168-VD	32	M16	192	168	24	22.5	15	12	14	7000	264
187351	LSQ.A-40-14-SST-M16x68-VD	40	M16	93	68	25	23.5	17	12	14	10000	109
187353	LSQ.A-40-14-SST-M16x108-VD	40	M16	133	108	25	23.5	17	12	14	10000	173
187355	LSQ.A-40-14-SST-M16x148-VD	40	M16	173	148	25	23.5	17	12	14	10000	237
187357	LSQ.A-40-14-SST-M16x168-VD	40	M16	193	168	25	23.5	17	12	14	10000	269
187451	LSQ.A-50-14-SST-M16x68-VD	50	M16	95	68	27	25.5	19	12	14	10000	115
187453	LSQ.A-50-14-SST-M16x108-VD	50	M16	135	108	27	25.5	19	12	14	10000	179
187455	LSQ.A-50-14-SST-M16x148-VD	50	M16	175	148	27	25.5	19	12	14	10000	243
187457	LSQ.A-50-14-SST-M16x168-VD	50	M16	195	168	27	25.5	19	12	14	10000	275
187581	LSQ.A-60-14-SST-M16x68-VD	60	M16	104	68	36	34.5	24	12	14	14000	125
187583	LSQ.A-60-14-SST-M16x108-VD	60	M16	144	108	36	34.5	24	12	14	14000	195
187585	LSQ.A-60-14-SST-M16x148-VD	60	M16	184	148	36	34.5	24	12	14	14000	255
187587	LSQ.A-60-14-SST-M16x168-VD	60	M16	204	158	36	34.5	24	12	14	14000	280
187591	LSQ.A-60-14-SST-M20x110-VD	60	M20	151	110	41	38.5	24	15	14	14000	374
187593	LSQ.A-60-14-SST-M20x150-VD	60	M20	191	150	41	38.5	24	15	14	14000	405
187595	LSQ.A-60-14-SST-M20x170-VD	60	M20	211	170	41	38.5	24	15	14	14000	440
187597	LSQ.A-60-14-SST-M20x210-VD	60	M20	251	210	41	38.5	24	15	14	14000	505

* The max static load is the value above which the load applied to the element may cause some plastic material breakage, in particular conditions of use. Obviously, a factor that takes into consideration the importance and the safety level of the specific application must be applied to this value.





LSQ.A-AS-SST-VD

STAINLESS STEEL

Code	Description	D	d	L	L ₁	l	l ₁	l ₂	h	s	Articulation Ø	Max. limit static load* [N]	⚖️
188151	LSQ.A-25-14-AS-SST-M16x68-VD	25	M16	92	95	68	24	22.5	12	12	14	5000	102
188153	LSQ.A-25-14-AS-SST-M16x108-VD	25	M16	132	135	108	24	22.5	12	12	14	5000	166
188155	LSQ.A-25-14-AS-SST-M16x148-VD	25	M16	172	175	148	24	22.5	12	12	14	5000	230
188157	LSQ.A-25-14-AS-SST-M16x168-VD	25	M16	192	195	168	24	22.5	12	12	14	5000	262
188251	LSQ.A-32-14-AS-SST-M16x68-VD	32	M16	92	95	68	24	22.5	15	12	14	7000	108
188253	LSQ.A-32-14-AS-SST-M16x108-VD	32	M16	132	135	108	24	22.5	15	12	14	7000	172
188255	LSQ.A-32-14-AS-SST-M16x148-VD	32	M16	172	175	148	24	22.5	15	12	14	7000	236
188257	LSQ.A-32-14-AS-SST-M16x168-VD	32	M16	192	195	168	24	22.5	15	12	14	7000	268
188351	LSQ.A-40-14-AS-SST-M16x68-VD	40	M16	93	96	68	25	23.5	17	12	14	10000	116
188353	LSQ.A-40-14-AS-SST-M16x108-VD	40	M16	133	136	108	25	23.5	17	12	14	10000	180
188355	LSQ.A-40-14-AS-SST-M16x148-VD	40	M16	173	176	148	25	23.5	17	12	14	10000	244
188357	LSQ.A-40-14-AS-SST-M16x168-VD	40	M16	193	196	168	25	23.5	17	12	14	10000	276
188451	LSQ.A-50-14-AS-SST-M16x68-VD	50	M16	95	98	68	27	25.5	19	12	14	10000	127
188453	LSQ.A-50-14-AS-SST-M16x108-VD	50	M16	135	138	108	27	25.5	19	12	14	10000	191
188455	LSQ.A-50-14-AS-SST-M16x148-VD	50	M16	175	178	148	27	25.5	19	12	14	10000	255
188457	LSQ.A-50-14-AS-SST-M16x168-VD	50	M16	195	198	168	27	25.5	19	12	14	10000	287
188581	LSQ.A-60-14-AS-SST-M16x68-VD	60	M16	104	107	68	36	34.5	24	12	14	14000	137
188583	LSQ.A-60-14-AS-SST-M16x108-VD	60	M16	144	147	108	36	34.5	24	12	14	14000	207
188585	LSQ.A-60-14-AS-SST-M16x148-VD	60	M16	184	187	148	36	34.5	24	12	14	14000	267
188587	LSQ.A-60-14-AS-SST-M16x168-VD	60	M16	204	207	158	36	34.5	24	12	14	14000	292
188591	LSQ.A-60-14-AS-SST-M20x110-VD	60	M20	151	154	110	41	38.5	24	15	14	14000	386
188593	LSQ.A-60-14-AS-SST-M20x150-VD	60	M20	191	194	150	41	38.5	24	15	14	14000	417
188595	LSQ.A-60-14-AS-SST-M20x170-VD	60	M20	211	214	170	41	38.5	24	15	14	14000	452
188597	LSQ.A-60-14-AS-SST-M20x210-VD	60	M20	251	254	210	41	38.5	24	15	14	14000	517

* The max static load is the value above which the load applied to the element may cause some plastic material breakage, in particular conditions of use. Obviously, a factor that takes into consideration the importance and the safety level of the specific application must be applied to this value.

Levelling elements 11