

## Levelling feet for ground mounting

### Polypropylene base, stainless steel stem

#### BASE

High-resilience polypropylene based (PP) technopolymer, black colour, matte finish.

#### ARTICULATED STEM

Threaded AISI 304 stainless steel with regulation hexagon.

#### STANDARD EXECUTIONS

- **LV.F-PP-SST**: without no-slip disk.
- **LV.F-PP-AS-SST**: with EPDM rubber no-slip disk, hardness 70 Shore A, supplied assembled to the base.

#### GROUND MOUNTING

By means of two holes at 180°, supplied covered by a diaphragm (which can be easily removed by a metal tool), to avoid all unhealthy deposits of dirt and dust when the ground mounting is not required (see Fig.1).

#### FEATURES AND APPLICATIONS

Polypropylene levelling elements are particularly suitable for those sectors where they can be in contact with chemical agents and/or for frequent washing with acidic or basic detergent solutions, such as in the chemical, process, pharmaceutical, food, textile and paper industry.

The special knurling under the lower lip of the base provides excellent stability and grip when using the levelling element without no-slip disk even on surfaces that are not perfectly flat.

The particular assembling system of the no-slip disk to the base assures a perfect anchoring, preventing separation even in case of impact during transport or of adhesion (sticking) to the floor (see No-slip disks on page -).

#### ORDER INFORMATION

The levelling elements are supplied unassembled to make carriage and storage easier. The components (base and stem) are supplied in separate packing: less volume taken and better protection from scratches and dirt.

To order bases and stems separately, see:  
- table of possible combinations Bases/Stems (see page

#### ACCESSORIES ON REQUEST

AISI 304 stainless steel nut (see Nuts NT. on page ).



ELESA Original design

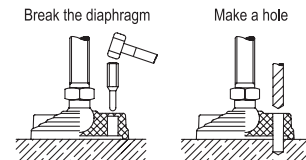
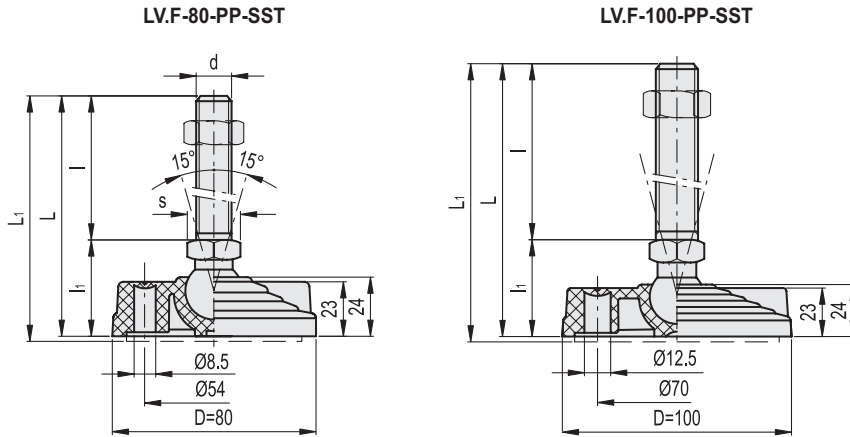


Fig.1



**LV.F-PP-SST - LV.F-PP-AS-SST**

**STAINLESS STEEL**

Code	Description	Code	Description	D	d	L	L1#	l	li	s	Articulation Ø	[N]*	[N]**	⚖	⚖
390621	LV.F-80-PP-24-SST-M16x58	393621	LV.F-80-PP-24-AS-SST-M16x58	80	M16	101	104	58	43	24	24	4000	18000	230	256
390625	LV.F-80-PP-24-SST-M16x98	393625	LV.F-80-PP-24-AS-SST-M16x98	80	M16	141	144	98	43	24	24	4000	18000	282	308
390641	LV.F-80-PP-24-SST-M16x138	393641	LV.F-80-PP-24-AS-SST-M16x138	80	M16	181	184	138	43	24	24	4000	18000	333	359
390661	LV.F-80-PP-24-SST-M16x158	393661	LV.F-80-PP-24-AS-SST-M16x158	80	M16	201	204	158	43	24	24	4000	18000	361	387
390725	LV.F-80-PP-24-SST-M20x98	393725	LV.F-80-PP-24-AS-SST-M20x98	80	M20	141	144	98	43	24	24	4000	18000	354	380
390741	LV.F-80-PP-24-SST-M20x138	393741	LV.F-80-PP-24-AS-SST-M20x138	80	M20	181	184	138	43	24	24	4000	18000	434	460
390761	LV.F-80-PP-24-SST-M20x158	393761	LV.F-80-PP-24-AS-SST-M20x158	80	M20	201	204	158	43	24	24	4000	18000	474	500
390781	LV.F-80-PP-24-SST-M20x198	393781	LV.F-80-PP-24-AS-SST-M20x198	80	M20	241	244	198	43	24	24	4000	18000	559	585
390825	LV.F-80-PP-24-SST-M24x98	393825	LV.F-80-PP-24-AS-SST-M24x98	80	M24	141	144	98	43	24	24	4000	18000	454	480
390861	LV.F-80-PP-24-SST-M24x158	393861	LV.F-80-PP-24-AS-SST-M24x158	80	M24	201	204	158	43	24	24	4000	18000	629	655
390881	LV.F-80-PP-24-SST-M24x198	393881	LV.F-80-PP-24-AS-SST-M24x198	80	M24	241	244	198	43	24	24	4000	18000	750	776
391521	LV.F-100-PP-24-SST-M16x58	394521	LV.F-100-PP-24-AS-SST-M16x58	100	M16	101	104	58	43	24	24	5000	18500	260	314
391525	LV.F-100-PP-24-SST-M16x98	394525	LV.F-100-PP-24-AS-SST-M16x98	100	M16	141	144	98	43	24	24	5000	18500	312	366
391541	LV.F-100-PP-24-SST-M16x138	394541	LV.F-100-PP-24-AS-SST-M16x138	100	M16	181	184	138	43	24	24	5000	18500	363	417
391561	LV.F-100-PP-24-SST-M16x158	394561	LV.F-100-PP-24-AS-SST-M16x158	100	M16	201	204	158	43	24	24	5000	18500	391	445
391625	LV.F-100-PP-24-SST-M20x98	394625	LV.F-100-PP-24-AS-SST-M20x98	100	M20	141	144	98	43	24	24	5000	18500	384	438
391641	LV.F-100-PP-24-SST-M20x138	394641	LV.F-100-PP-24-AS-SST-M20x138	100	M20	181	184	138	43	24	24	5000	18500	464	518
391661	LV.F-100-PP-24-SST-M20x158	394661	LV.F-100-PP-24-AS-SST-M20x158	100	M20	201	204	158	43	24	24	5000	18500	504	558
391681	LV.F-100-PP-24-SST-M20x198	394681	LV.F-100-PP-24-AS-SST-M20x198	100	M20	241	244	198	43	24	24	5000	18500	589	643
391725	LV.F-100-PP-24-SST-M24x98	394725	LV.F-100-PP-24-AS-SST-M24x98	100	M24	141	144	98	43	24	24	5000	18500	484	538
391761	LV.F-100-PP-24-SST-M24x158	394761	LV.F-100-PP-24-AS-SST-M24x158	100	M24	201	204	158	43	24	24	5000	18500	659	713
391781	LV.F-100-PP-24-SST-M24x198	394781	LV.F-100-PP-24-AS-SST-M24x198	100	M24	241	244	198	43	24	24	5000	18500	780	834

\* Max static load: is the value above which the load applied to the element may cause some plastic material breakage, in particular conditions of use. Obviously, a factor that takes into consideration the importance and the safety level of the specific application must be applied to this value.

\*\* Load at breakage: is the value above which the load applied to the element may quickly cause some plastic material breakage, in particular conditions of use.

# Data with no-slip disk mounted.

