

## Levelling feet for ground mounting

**Visually Detectable technopolymer base, stainless steel stem**

### BASE

Glass-fibre reinforced polyamide based (PA) technopolymer, RAL 5005 blue colour, matte finish.

Produced from FDA compliant raw material (FDA CFR.21 and EU 10/2011).

### ARTICULATED STEM

Threaded AISI 304 stainless steel with regulation hexagon.

### STANDARD EXECUTIONS

- **LV.F-SST-VD**: without no-slip disk.
- **LV.F-AS-SST-VD**: with NBR rubber no-slip disk, hardness 70 Shore A, supplied assembled to the base.

### GROUND MOUNTING

By means of two holes at 180°, supplied covered by a diaphragm (which can be easily removed by a metal tool), to avoid all unhealthy deposits of dirt and dust when the ground mounting is not required (see Fig.1).

### FEATURES AND APPLICATIONS

The RAL 5005 blue colour is easily visible in case of accidental food contamination.

The special knurling under the lower lip of the base provides excellent stability and grip when using the levelling element without no-slip disk even on surfaces that are not perfectly flat.

The particular assembling system of the no-slip disk to the base assures a perfect anchoring, preventing separation even in case of impact during transport or of adhesion (sticking) to the floor (see No-slip disk).

### ORDER INFORMATION

The levelling feet are supplied unassembled to make carriage and storage easier. The components (base and stem) are supplied in separate packing: less volume taken and better protection from scratches and dirt.

To order bases and stems separately, see:

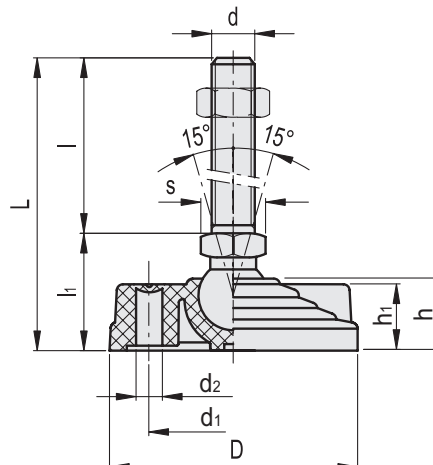
- table of possible combinations Bases/Stems
- the codes of the Bases
- the codes of the Stems

### ACCESSORIES ON REQUEST

AISI 304 stainless steel nut (see Nuts NT.).



ELESA Original design



LV.F-SST-VD

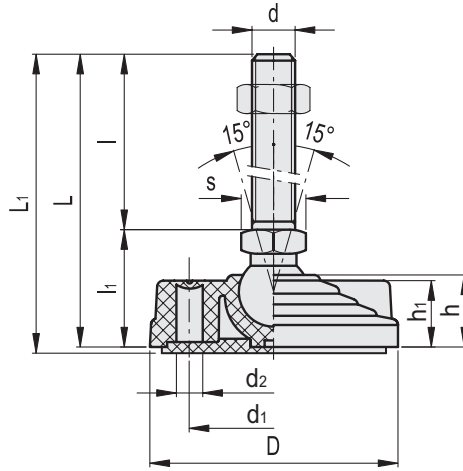
STAINLESS STEEL

Code	Description	D	d	d1	L	l	li	d2	h	h1	s	Articulation Ø	Max. limit static load* [N]	⚖️
185301	LV.F-80-14-SST-M8x43-VD	80	M8	54	76	43	33	8.5	24	23	14	14	16000	86
185303	LV.F-80-14-SST-M8x68-VD	80	M8	54	101	68	33	8.5	24	23	14	14	16000	98
185311	LV.F-80-14-SST-M10x43-VD	80	M10	54	76	43	33	8.5	24	23	14	14	16000	95
185313	LV.F-80-14-SST-M10x68-VD	80	M10	54	101	68	33	8.5	24	23	14	14	16000	108
185315	LV.F-80-14-SST-M10x98-VD	80	M10	54	131	98	33	8.5	24	23	14	14	16000	122
185321	LV.F-80-14-SST-M12x43-VD	80	M12	54	76	43	33	8.5	24	23	14	14	16000	105
185323	LV.F-80-14-SST-M12x68-VD	80	M12	54	101	68	33	8.5	24	23	14	14	16000	123
185325	LV.F-80-14-SST-M12x98-VD	80	M12	54	131	98	33	8.5	24	23	14	14	16000	145
185331	LV.F-80-14-SST-M14x68-VD	80	M14	54	101	68	33	8.5	24	23	14	14	16000	146
185333	LV.F-80-14-SST-M14x98-VD	80	M14	54	131	98	33	8.5	24	23	14	14	16000	167
185335	LV.F-80-14-SST-M14x148-VD	80	M14	54	181	148	33	8.5	24	23	14	14	16000	250
185341	LV.F-80-14-SST-M16x68-VD	80	M16	54	101	68	33	8.5	24	23	16	14	16000	168
185343	LV.F-80-14-SST-M16x108-VD	80	M16	54	141	108	33	8.5	24	23	16	14	16000	222
185345	LV.F-80-14-SST-M16x148-VD	80	M16	54	181	148	33	8.5	24	23	16	14	16000	275
185347	LV.F-80-14-SST-M16x168-VD	80	M16	54	201	168	33	8.5	24	23	16	14	16000	302
185351	LV.F-80-24-SST-M16x58-VD	80	M16	54	101	58	43	8.5	24	23	24	24	18000	230
185353	LV.F-80-24-SST-M16x98-VD	80	M16	54	141	98	43	8.5	24	23	24	24	18000	282
185355	LV.F-80-24-SST-M16x138-VD	80	M16	54	181	138	43	8.5	24	23	24	24	18000	333
185357	LV.F-80-24-SST-M16x158-VD	80	M16	54	201	158	43	8.5	24	23	24	24	18000	361
185361	LV.F-80-24-SST-M20x98-VD	80	M20	54	141	98	43	8.5	24	23	24	24	18000	354
185363	LV.F-80-24-SST-M20x138-VD	80	M20	54	181	138	43	8.5	24	23	24	24	18000	434
185365	LV.F-80-24-SST-M20x158-VD	80	M20	54	201	158	43	8.5	24	23	24	24	18000	474
185367	LV.F-80-24-SST-M20x198-VD	80	M20	54	241	198	43	8.5	24	23	24	24	18000	559
185371	LV.F-80-24-SST-M24x98-VD	80	M24	54	141	98	43	8.5	24	23	24	24	18000	454
185373	LV.F-80-24-SST-M24x158-VD	80	M24	54	201	158	43	8.5	24	23	24	24	18000	629
185375	LV.F-80-24-SST-M24x198-VD	80	M24	54	241	198	43	8.5	24	23	24	24	18000	750
185401	LV.F-100-14-SST-M8x43-VD	100	M8	70	76	43	33	12.5	24	23	14	14	18000	93
185403	LV.F-100-14-SST-M8x68-VD	100	M8	70	101	68	33	12.5	24	23	14	14	18000	105
185411	LV.F-100-14-SST-M10x43-VD	100	M10	70	76	43	33	12.5	24	23	14	14	18000	102
185413	LV.F-100-14-SST-M10x68-VD	100	M10	70	101	68	33	12.5	24	23	14	14	18000	114
185415	LV.F-100-14-SST-M10x98-VD	100	M10	70	131	98	33	12.5	24	23	14	14	18000	128
185421	LV.F-100-14-SST-M12x43-VD	100	M12	70	76	43	33	12.5	24	23	14	14	18000	112
185423	LV.F-100-14-SST-M12x68-VD	100	M12	70	101	68	33	12.5	24	23	14	14	18000	129
185425	LV.F-100-14-SST-M12x98-VD	100	M12	70	131	98	33	12.5	24	23	14	14	18000	150
185431	LV.F-100-14-SST-M14x68-VD	100	M14	70	101	68	33	12.5	24	23	14	14	18000	151
185433	LV.F-100-14-SST-M14x98-VD	100	M14	70	131	98	33	12.5	24	23	14	14	18000	172
185435	LV.F-100-14-SST-M14x148-VD	100	M14	70	181	148	33	12.5	24	23	14	14	18000	255
185441	LV.F-100-14-SST-M16x68-VD	100	M16	70	101	68	33	12.5	24	23	16	14	18000	173
185443	LV.F-100-14-SST-M16x108-VD	100	M16	70	141	108	33	12.5	24	23	16	14	18000	225
185445	LV.F-100-14-SST-M16x148-VD	100	M16	70	181	148	33	12.5	24	23	16	14	18000	277
185447	LV.F-100-14-SST-M16x168-VD	100	M16	70	201	168	33	12.5	24	23	16	14	18000	303
185451	LV.F-100-24-SST-M16x58-VD	100	M16	70	101	58	43	12.5	24	23	24	24	25000	260
185453	LV.F-100-24-SST-M16x98-VD	100	M16	70	141	98	43	12.5	24	23	24	24	25000	312
185455	LV.F-100-24-SST-M16x138-VD	100	M16	70	181	138	43	12.5	24	23	24	24	25000	363
185457	LV.F-100-24-SST-M16x158-VD	100	M16	70	201	158	43	12.5	24	23	24	24	25000	391
185461	LV.F-100-24-SST-M20x98-VD	100	M20	70	141	98	43	12.5	24	23	24	24	25000	384
185463	LV.F-100-24-SST-M20x138-VD	100	M20	70	181	138	43	12.5	24	23	24	24	25000	464
185465	LV.F-100-24-SST-M20x158-VD	100	M20	70	201	158	43	12.5	24	23	24	24	25000	504
185467	LV.F-100-24-SST-M20x198-VD	100	M20	70	241	198	43	12.5	24	23	24	24	25000	589
185471	LV.F-100-24-SST-M24x98-VD	100	M24	70	141	98	43	12.5	24	23	24	24	25000	484
185473	LV.F-100-24-SST-M24x158-VD	100	M24	70	201	158	43	12.5	24	23	24	24	25000	659
185475	LV.F-100-24-SST-M24x198-VD	100	M24	70	241	198	43	12.5	24	23	24	24	25000	780
185501	LV.F-125-24-SST-M16x58-VD	125	M16	95	125	58	67	12.5	46	23	24	24	28000	399
185503	LV.F-125-24-SST-M16x98-VD	125	M16	95	165	98	67	12.5	46	23	24	24	28000	451
185505	LV.F-125-24-SST-M16x138-VD	125	M16	95	205	138	67	12.5	46	23	24	24	28000	502
185507	LV.F-125-24-SST-M16x158-VD	125	M16	95	225	158	67	12.5	46	23	24	24	28000	530
185511	LV.F-125-24-SST-M20x98-VD	125	M20	95	165	98	67	12.5	46	23	24	24	28000	523
185513	LV.F-125-24-SST-M20x138-VD	125	M20	95	205	138	67	12.5	46	23	24	24	28000	603
185515	LV.F-125-24-SST-M20x158-VD	125	M20	95	225	158	67	12.5	46	23	24	24	28000	643
185517	LV.F-125-24-SST-M20x198-VD	125	M20	95	265	198	67	12.5	46	23	24	24	28000	728
185521	LV.F-125-24-SST-M24x98-VD	125	M24	95	165	98	67	12.5	46	23	24	24	28000	623
185523	LV.F-125-24-SST-M24x158-VD	125	M24	95	225	158	67	12.5	46	23	24	24	28000	798
185525	LV.F-125-24-SST-M24x198-VD	125	M24	95	265	198	67	12.5	46	23	24	24	28000	919

\* The max static load is the value above which the load applied to the element may cause some plastic material breakage, in particular conditions of use. Obviously, a factor that takes into consideration the importance and the safety level of the specific application must be applied to this value.



Levelling elements 11



LV.F-AS-SST-VD

STAINLESS STEEL

Code	Description	D	d	d <sub>1</sub>	L	L <sub>1</sub>	l	l <sub>1</sub>	d <sub>2</sub>	h	h <sub>1</sub>	s	Articulation Ø	Max. limit static load* [N]	$\Delta$
186301	LV.F-80-14-AS-SST-M8x43-VD	80	M8	54	76	79	43	33	8.5	24	23	14	14	16000	112
186303	LV.F-80-14-AS-SST-M8x68-VD	80	M8	54	101	104	68	33	8.5	24	23	14	14	16000	124
186311	LV.F-80-14-AS-SST-M10x43-VD	80	M10	54	76	79	43	33	8.5	24	23	14	14	16000	121
186313	LV.F-80-14-AS-SST-M10x68-VD	80	M10	54	101	104	68	33	8.5	24	23	14	14	16000	134
186315	LV.F-80-14-AS-SST-M10x98-VD	80	M10	54	131	134	98	33	8.5	24	23	14	14	16000	148
186321	LV.F-80-14-AS-SST-M12x43-VD	80	M12	54	76	79	43	33	8.5	24	23	14	14	16000	131
186323	LV.F-80-14-AS-SST-M12x68-VD	80	M12	54	101	104	68	33	8.5	24	23	14	14	16000	149
186325	LV.F-80-14-AS-SST-M12x98-VD	80	M12	54	131	134	98	33	8.5	24	23	14	14	16000	171
186331	LV.F-80-14-AS-SST-M14x68-VD	80	M14	54	101	104	68	33	8.5	24	23	14	14	16000	172
186333	LV.F-80-14-AS-SST-M14x98-VD	80	M14	54	131	134	98	33	8.5	24	23	14	14	16000	193
186335	LV.F-80-14-AS-SST-M14x148-VD	80	M14	54	181	184	148	33	8.5	24	23	14	14	16000	276
186341	LV.F-80-14-AS-SST-M16x68-VD	80	M16	54	101	104	68	33	8.5	24	23	16	14	16000	194
186343	LV.F-80-14-AS-SST-M16x108-VD	80	M16	54	141	144	108	33	8.5	24	23	16	14	16000	248
186345	LV.F-80-14-AS-SST-M16x148-VD	80	M16	54	181	184	148	33	8.5	24	23	16	14	16000	301
186347	LV.F-80-14-AS-SST-M16x168-VD	80	M16	54	201	204	168	33	8.5	24	23	16	14	16000	328
186351	LV.F-80-24-AS-SST-M16x58-VD	80	M16	54	101	104	58	43	8.5	24	23	24	24	18000	256
186353	LV.F-80-24-AS-SST-M16x98-VD	80	M16	54	141	144	98	43	8.5	24	23	24	24	18000	308
186355	LV.F-80-24-AS-SST-M16x138-VD	80	M16	54	181	184	138	43	8.5	24	23	24	24	18000	359
186357	LV.F-80-24-AS-SST-M16x158-VD	80	M16	54	201	204	158	43	8.5	24	23	24	24	18000	387
186361	LV.F-80-24-AS-SST-M20x98-VD	80	M20	54	141	144	98	43	8.5	24	23	24	24	18000	380
186363	LV.F-80-24-AS-SST-M20x138-VD	80	M20	54	181	184	138	43	8.5	24	23	24	24	18000	460
186365	LV.F-80-24-AS-SST-M20x158-VD	80	M20	54	201	204	158	43	8.5	24	23	24	24	18000	500
186367	LV.F-80-24-AS-SST-M20x198-VD	80	M20	54	241	244	198	43	8.5	24	23	24	24	18000	585
186371	LV.F-80-24-AS-SST-M24x98-VD	80	M24	54	141	144	98	43	8.5	24	23	24	24	18000	480
186373	LV.F-80-24-AS-SST-M24x158-VD	80	M24	54	201	204	158	43	8.5	24	23	24	24	18000	655
186375	LV.F-80-24-AS-SST-M24x198-VD	80	M24	54	241	244	198	43	8.5	24	23	24	24	18000	776

\* The max static load is the value above which the load applied to the element may cause some plastic material breakage, in particular conditions of use. Obviously, a factor that takes into consideration the importance and the safety level of the specific application must be applied to this value.



Levelling elements 11



Levelling elements 11

LV.F-AS-SST-VD

STAINLESS STEEL

Code	Description	D	d	d1	L	L1	l	l1	d2	h	h1	s	Articulation Ø	Max. limit static load* [N]	
186401	LV.F-100-14-AS-SST-M8x43-VD	100	M8	70	76	79	43	33	12.5	24	23	14	14	18000	148
186403	LV.F-100-14-AS-SST-M8x68-VD	100	M8	70	101	104	68	33	12.5	24	23	14	14	18000	160
186411	LV.F-100-14-AS-SST-M10x43-VD	100	M10	70	76	79	43	33	12.5	24	23	14	14	18000	157
186413	LV.F-100-14-AS-SST-M10x68-VD	100	M10	70	101	104	68	33	12.5	24	23	14	14	18000	169
186415	LV.F-100-14-AS-SST-M10x98-VD	100	M10	70	131	134	98	33	12.5	24	23	14	14	18000	183
186421	LV.F-100-14-AS-SST-M12x43-VD	100	M12	70	76	79	43	33	12.5	24	23	14	14	18000	167
186423	LV.F-100-14-AS-SST-M12x68-VD	100	M12	70	101	104	68	33	12.5	24	23	14	14	18000	184
186425	LV.F-100-14-AS-SST-M12x98-VD	100	M12	70	131	134	98	33	12.5	24	23	14	14	18000	205
186431	LV.F-100-14-AS-SST-M14x68-VD	100	M14	70	101	104	68	33	12.5	24	23	14	14	18000	206
186433	LV.F-100-14-AS-SST-M14x98-VD	100	M14	70	131	134	98	33	12.5	24	23	14	14	18000	227
186435	LV.F-100-14-AS-SST-M14x148-VD	100	M14	70	181	184	148	33	12.5	24	23	14	14	18000	310
186441	LV.F-100-14-AS-SST-M16x68-VD	100	M16	70	101	104	68	33	12.5	24	23	16	14	18000	228
186443	LV.F-100-14-AS-SST-M16x108-VD	100	M16	70	141	144	108	33	12.5	24	23	16	14	18000	280
186445	LV.F-100-14-AS-SST-M16x148-VD	100	M16	70	181	184	148	33	12.5	24	23	16	14	18000	332
186447	LV.F-100-14-AS-SST-M16x168-VD	100	M16	70	201	204	168	33	12.5	24	23	16	14	18000	358
186451	LV.F-100-24-AS-SST-M16x58-VD	100	M16	70	101	104	58	43	12.5	24	23	24	24	25000	314
186453	LV.F-100-24-AS-SST-M16x98-VD	100	M16	70	141	144	98	43	12.5	24	23	24	24	25000	366
186455	LV.F-100-24-AS-SST-M16x138-VD	100	M16	70	181	184	138	43	12.5	24	23	24	24	25000	417
186457	LV.F-100-24-AS-SST-M16x158-VD	100	M16	70	201	204	158	43	12.5	24	23	24	24	25000	445
186461	LV.F-100-24-AS-SST-M20x98-VD	100	M20	70	141	144	98	43	12.5	24	23	24	24	25000	438
186463	LV.F-100-24-AS-SST-M20x138-VD	100	M20	70	181	184	138	43	12.5	24	23	24	24	25000	518
186465	LV.F-100-24-AS-SST-M20x158-VD	100	M20	70	201	204	158	43	12.5	24	23	24	24	25000	558
186467	LV.F-100-24-AS-SST-M20x198-VD	100	M20	70	241	244	198	43	12.5	24	23	24	24	25000	643
186471	LV.F-100-24-AS-SST-M24x98-VD	100	M24	70	141	144	98	43	12.5	24	23	24	24	25000	538
186473	LV.F-100-24-AS-SST-M24x158-VD	100	M24	70	201	204	158	43	12.5	24	23	24	24	25000	713
186475	LV.F-100-24-AS-SST-M24x198-VD	100	M24	70	241	244	198	43	12.5	24	23	24	24	25000	834
186501	LV.F-125-24-AS-SST-M16x58-VD	125	M16	95	125	128	58	67	12.5	46	23	24	24	28000	524
186503	LV.F-125-24-AS-SST-M16x98-VD	125	M16	95	165	168	98	67	12.5	46	23	24	24	28000	576
186505	LV.F-125-24-AS-SST-M16x138-VD	125	M16	95	205	208	138	67	12.5	46	23	24	24	28000	627
186507	LV.F-125-24-AS-SST-M16x158-VD	125	M16	95	225	228	158	67	12.5	46	23	24	24	28000	655
186511	LV.F-125-24-AS-SST-M20x98-VD	125	M20	95	165	168	98	67	12.5	46	23	24	24	28000	648
186513	LV.F-125-24-AS-SST-M20x138-VD	125	M20	95	205	208	138	67	12.5	46	23	24	24	28000	728
186515	LV.F-125-24-AS-SST-M20x158-VD	125	M20	95	225	228	158	67	12.5	46	23	24	24	28000	768
186517	LV.F-125-24-AS-SST-M20x198-VD	125	M20	95	265	268	198	67	12.5	46	23	24	24	28000	853
186521	LV.F-125-24-AS-SST-M24x98-VD	125	M24	95	165	168	98	67	12.5	46	23	24	24	28000	748
186523	LV.F-125-24-AS-SST-M24x158-VD	125	M24	95	225	228	158	67	12.5	46	23	24	24	28000	923
186525	LV.F-125-24-AS-SST-M24x198-VD	125	M24	95	265	268	198	67	12.5	46	23	24	24	28000	1044

\* The max static load is the value above which the load applied to the element may cause some plastic material breakage, in particular conditions of use. Obviously, a factor that takes into consideration the importance and the safety level of the specific application must be applied to this value.