

Diamond cut knurled control knobs

with collar or flange, technopolymer

KNOB

High-resilience polypropylene based (PP) technopolymer, black colour, matte finish.

COLLAR OR FLANGE

Glass-fibre reinforced polyamide based (PA) technopolymer, black colour, matte finish.

COLOURED CENTRE CAP

Technopolymer, matte finish.

To order, add the index of the desired colour (C9, ..., C6) to the code and the description.

On request and for sufficient quantities, it can be supplied in other colours or with customised graphic symbols, marks or writings.

STANDARD EXECUTIONS

Brass boss, plain blind hole.

Assembly by means of a black-oxide steel transversal grub screw UNI 5929 (grub screw with hexagon socket and cup end). Included in the supply.

- **MBR+C**: plain collar.
- **MBR+CK**: collar with triangular index.
- **MBR+CGS**: collar with standard graduation, 40 marks, the numbering from 0 to 9 increases as the knob is turned clockwise.
- **MBR+FK**: flange with triangular index.
- **MBR+FGS**: flange with standard graduation, 40 marks, the numbering from 0 to 9 increases as the knob is turned clockwise.
- **MBR+FKP**: flange with triangular index. Rear compartment for potentiometer housing.
- **MBR+FGSP**: flange with standard graduation, 40 marks, the numbering from 0 to 9 increases as the knob is turned clockwise. Rear compartment for potentiometer housing.

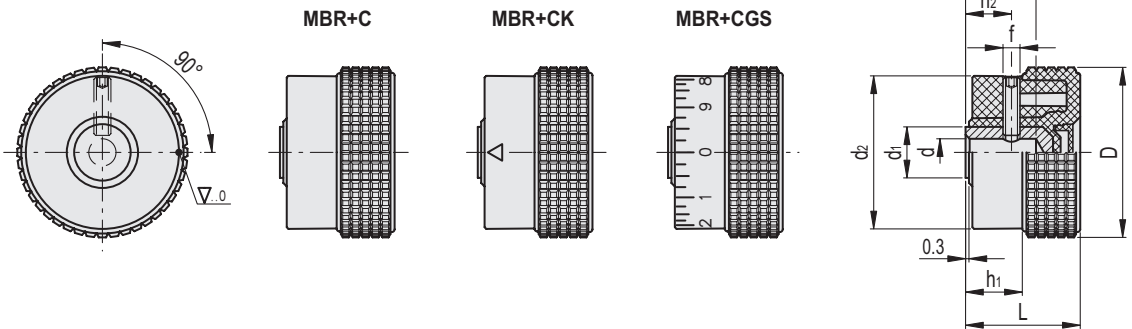
Precision graduations, laser engraved numbering and triangular index.



ELESA Original design

ERGONOMY AND DESIGN

The fine pitch knurling on the outside rim of the knob, allows a safe and comfortable grip, offering the operator the possibility of operating under the most different working conditions in a sensitive and ergonomic way and simplifying the adjustment of the knob during rapid rotation (or screwing) without any unpleasant angular work for the hand and wrist.



* Complete with colour index, example: 34811-C2 MBR.30 B-5+C-C2

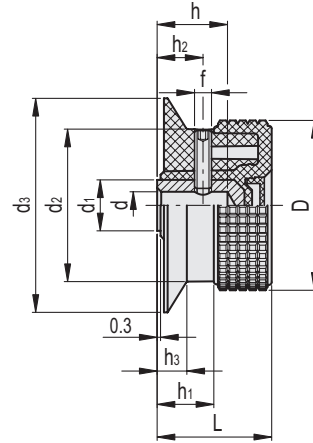
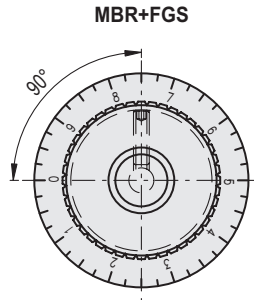
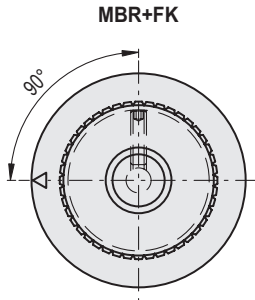
- | | | | | | | |
|----------------------|----------------------|----------------------|----------------------|----------------------|----------------------|-----------------------|
| C9
RAL9005 | C2
RAL2004 | C3
RAL7035 | C4
RAL1021 | C5
RAL5024 | C6
RAL3000 | C17
RAL6017 |
|----------------------|----------------------|----------------------|----------------------|----------------------|----------------------|-----------------------|

MBR+C

MBR+CK

MBR+CGS

Code	Description	Code	Description	Code	Description	D	dH9	L	d1	d2	h	h1	h2	f	△
34811-*	MBR.30 B-5+C-*	34812-*	MBR.30 B-5+CK-*	34813-*	MBR.30 B-5+CGS-*	30	5	24	11	26	12	10.5	8.5	M4	32
34821-*	MBR.30 B-6+C-*	34822-*	MBR.30 B-6+CK-*	34823-*	MBR.30 B-6+CGS-*	30	6	24	12	26	14	10.5	8.5	M4	30
34831-*	MBR.40 B-6+C-*	34832-*	MBR.40 B-6+CK-*	34833-*	MBR.40 B-6+CGS-*	40	6	26	12	34.5	14	12	9	M4	35
34851-*	MBR.50 B-8+C-*	34852-*	MBR.50 B-8+CK-*	34853-*	MBR.50 B-8+CGS-*	50	8	33	15	45	20	15	11.5	M5	60



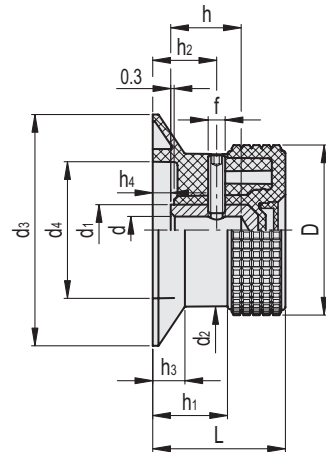
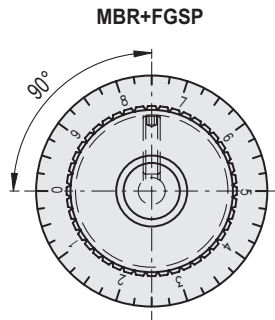
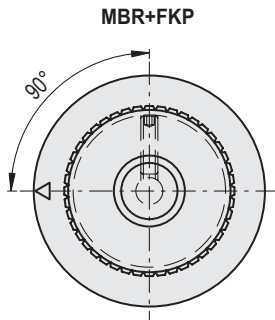
* Complete with colour index, example: 34814-C2 MBR.30 B-5+FK-C2

- C9 RAL9005
- C2 RAL2004
- C3 RAL7035
- C4 RAL1021
- C5 RAL5024
- C6 RAL3000
- C17 RAL6017

MBR+FK

MBR+FGS

Code	Description	Code	Description	D	dH9	L	d1	d2	d3	h	h1	h2	h3	f	⚖
34814-*	MBR.30 B-5+FK-*	34815-*	MBR.30 B-5+FGS-*	30	5	24	11	26	42	12	10.5	8.5	5	M4	27
34824-*	MBR.30 B-6+FK-*	34825-*	MBR.30 B-6+FGS-*	30	6	24	12	26	42	14	10.5	8.5	5	M4	25
34834-*	MBR.40 B-6+FK-*	34835-*	MBR.40 B-6+FGS-*	40	6	26	12	34.5	50	14	12	9	5.5	M4	38
34854-*	MBR.50 B-8+FK-*	34855-*	MBR.50 B-8+FGS-*	50	8	33	15	45	63	20	15	11.5	6.5	M5	65



* Complete with colour index, example: 34816-C2 MBR.30 B-5+FKP-C2

- C9 RAL9005
- C2 RAL2004
- C3 RAL7035
- C4 RAL1021
- C5 RAL5024
- C6 RAL3000
- C17 RAL6017

MBR+FKP

MBR+FGSP

Code	Description	Code	Description	D	dH9	L	d1	d2	d3	d4	h	h1	h2	h3	h4	f	⚖
34816-*	MBR.30 B-5+FKP-*	34817-*	MBR.30 B-5+FGSP-*	30	5	29	11	26	42	22	12	16	11.5	7	5	M4	31
34826-*	MBR.30 B-6+FKP-*	34827-*	MBR.30 B-6+FGSP-*	30	6	29	12	26	42	22	14	16	11.5	7	5	M4	29
34836-*	MBR.40 B-6+FKP-*	34837-*	MBR.40 B-6+FGSP-*	40	6	32.5	12	34.5	50	31	14	18.5	14	8	6	M4	42
34856-*	MBR.50 B-8+FKP-*	34857-*	MBR.50 B-8+FGSP-*	50	8	39	15	45	63	40	20	22	16	9.5	6	M5	67



Control elements