

Folding handles with recessed tray

for screw mounting, technopolymer

BODY

Acetal-based technopolymer (POM), black colour, matte finish, high UV resistant.

HANDLE

Glass-fibre reinforced polyamide based (PA) SUPER-technopolymer, black colour, matte finish, high UV resistant.

AISI 316 stainless steel spring.
AISI 316 stainless steel rotating pin.

FIXING INSERT

Glass-fibre reinforced polyamide based (PA) SUPER-technopolymer, black colour, matte finish, high UV resistant.

AISI 316 stainless steel self-tapping screws Ø3.5 (included in the supply).

STANDARD EXECUTIONS

- **MRH.80-6:** mounting on panels with a maximum thickness of 6 mm.
- **MRH.80-12:** mounting on sandwich panels with thickness between 6 mm and 12 mm.

FEATURES AND APPLICATIONS

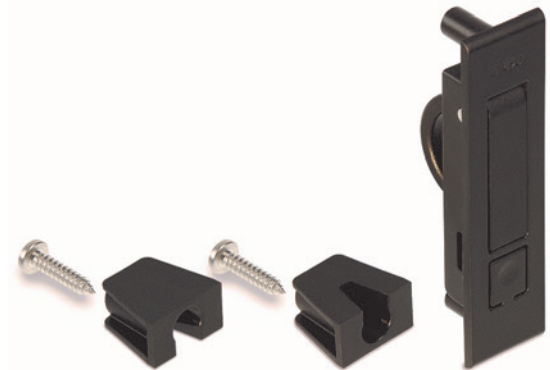
The MRH handle is completely recessed. By pressing the retractable button, the handle will come out of its casing thanks to a snap mechanism, allowing the opening of closing panels, drawers, etc.

TECHNICAL DATA

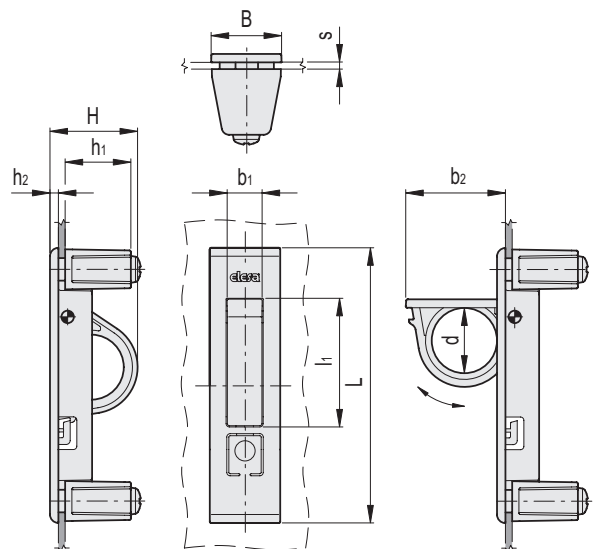
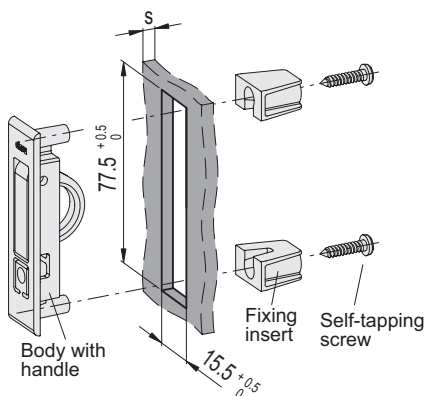
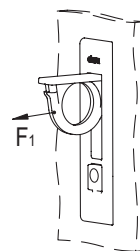
Tensile stress: the values F1 indicated in the table were obtained during breaking tests carried out under the test conditions shown in the figure with ambient temperature.

ASSEMBLY INSTRUCTIONS

- Drill the handle housing according to the template dimensions.
- Remove all drilling burrs before fitting the handle.
- Insert the handle body all the way into the hole.
- Insert the fixing insert using the self-tapping screws (included in the supply) until they can go no further. The suggested tightening torque is 1 Nm.



ELESA Original design



Code	Description	B	L	H	h1	h2	b1	b2	l1	s	d	F1 [N]	⚖️
43701	MRH.80-6	21	82	26	19	2.5	10	30	38	1 ÷ 6	19.5	400	24
43706	MRH.80-12	21	82	26	19	2.5	10	30	38	6 ÷ 12	19.5	400	25