

Castors with stainless steel bracket

Injected polyurethane coating

COVERING

Injected polyurethane, hardness 55 Shore D.

WHEEL CENTRE BODY

Polyamide based (PA) technopolymer.

ROLLING ACTION

Hub with pass-through hole.

FIXED PLATE BRACKET

AISI 304 stainless steel sheet, the bracket is designed to withstand loads up to 3000N.

TURNING PLATE BRACKET

AISI 304 stainless steel sheet, the bracket is designed to withstand loads up to 3000N.

The presence of a double ball race and direct contact between the plate and the ball race ring with built-in pin ensure excellent manoeuvrability.

Does not require maintenance.

It consists of (see Fig.1):

1. fitting plate: AISI 304 stainless steel sheet;
2. fork: AISI 304 stainless steel sheet;
3. ball race ring: AISI 304 stainless steel sheet;
4. central pin: incorporated in the plate, cold reflanged;
5. rotation system: dual grease-lubricated ball race;
6. dust seal: RAL 7015 dark grey technopolymer, available only for SBL and SBF executions.

BRAKE

Total brake that locks the wheel and bracket rotation.

The optimised dimensions and the retractable pedal ensure minimal space occupied and maximum actuation ease. Stainless steel spring. The trolley must be turned to use the device. The brake is simple and effective to use: it is actuated and released by a simple action from the top downward at the tip of two separate pedals, thus ensuring the utmost manoeuvring comfort.

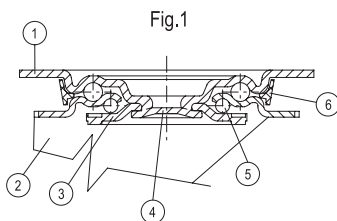
STANDARD EXECUTIONS

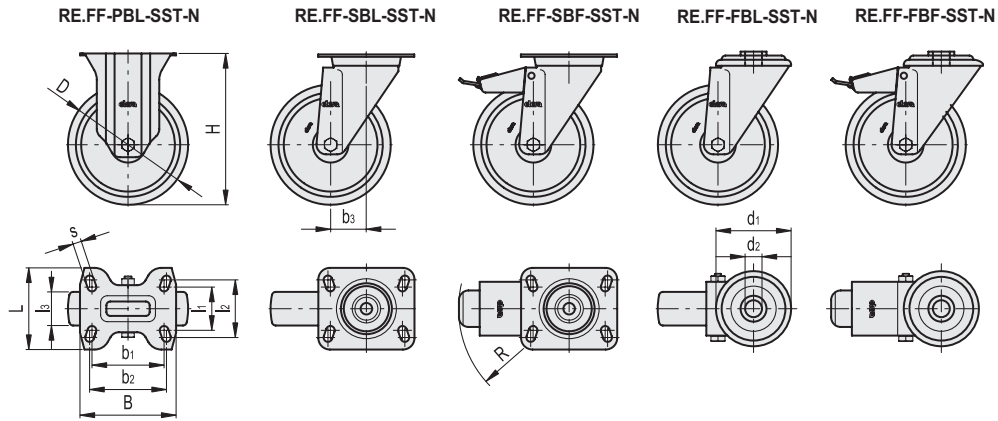
- **PBL**: fixed plate bracket, without brake.
- **SBL**: turning plate bracket, without brake.
- **SBF**: turning plate bracket, with brake.
- **FBL**: turning plate bracket and centre pass-through hole, without brake.
- **FBF**: turning plate bracket and centre pass-through hole, with brake.

APPLICATIONS

Excellent rolling resistance and elasticity features, good wear and tearing resistance.

For further information see wheel technical data sheet RE.FF (see page).




RE.FF-PBL-SST-N
STAINLESS STEEL

Code	Description	D	l ₁	l ₂	l ₃	H	B	L	s	b ₁	b ₂	Rolling resistance# [N]	Dynamic carrying capacity# [N]	⚖️
451301	RE.FF-080-PBL-SST-N	80	45	60	30	107	100	85	9	75	80	1200	1200	350
451306	RE.FF-100-PBL-SST-N	100	45	60	30	128	100	85	9	75	80	1700	1700	400
451311	RE.FF-125-PBL-SST-N	125	45	60	35	156	100	85	9	75	80	2300	2200	640
451313	RE.FF-150-PBL-SST-N	150	73	80	45	194	140	114	11	105	105	2800	3000	1346
451316	RE.FF-200-PBL-SST-N	200	73	80	50	240	140	110	11	105	105	3200	3000	1740

RE.FF-SBL-SST-N
STAINLESS STEEL

Code	Description	D	l ₁	l ₂	l ₃	H	B	L	s	b ₁	b ₂	b ₃	Rolling resistance# [N]	Dynamic carrying capacity# [N]	⚖️
451201	RE.FF-080-SBL-SST-N	80	45	60	30	107	100	85	9	75	80	39	1200	1200	610
451206	RE.FF-100-SBL-SST-N	100	45	60	30	128	100	85	9	75	80	35	1700	1700	650
451211	RE.FF-125-SBL-SST-N	125	45	60	35	156	100	85	9	75	80	37	2300	2200	810
451213	RE.FF-150-SBL-SST-N	150	73	80	45	194	140	110	11	105	105	56	2800	3000	1770
451216	RE.FF-200-SBL-SST-N	200	73	80	50	240	140	110	11	105	105	56	3200	3000	2200

RE.FF-SBF-SST-N
STAINLESS STEEL

Code	Description	D	l ₁	l ₂	l ₃	H	B	L	s	b ₁	b ₂	b ₃	R	Rolling resistance# [N]	Dynamic carrying capacity# [N]	⚖️
451251	RE.FF-080-SBF-SST-N	80	45	60	30	107	100	85	9	75	80	39	120	1200	1200	780
451256	RE.FF-100-SBF-SST-N	100	45	60	30	128	100	85	9	75	80	35	120	1700	1700	830
451261	RE.FF-125-SBF-SST-N	125	45	60	35	156	100	85	9	75	80	37	120	2300	2200	950
451263	RE.FF-150-SBF-SST-N	150	73	80	45	194	140	110	11	105	105	56	156	2800	3000	2068
451266	RE.FF-200-SBF-SST-N	200	73	80	50	240	140	110	11	105	105	56	156	3200	3000	2480

RE.FF-FBL-SST-N
STAINLESS STEEL

Code	Description	D	d ₁	d ₂	l ₃	H	b ₃	Rolling resistance# [N]	Dynamic carrying capacity# [N]	⚖️
451351	RE.FF-080-FBL-SST-N	80	73	12	30	107	39	1200	1200	550
451353	RE.FF-100-FBL-SST-N	100	73	12	30	128	35	1700	1700	670
451356	RE.FF-125-FBL-SST-N	125	73	12	35	156	37	2300	2200	850
451358	RE.FF-150-FBL-SST-N	150	102	20	45	188	56	2800	3000	1578
451360	RE.FF-200-FBL-SST-N	200	102	20	50	236	56	3200	3000	2140

RE.FF-FBF-SST-N
STAINLESS STEEL

Code	Description	D	d ₁	d ₂	l ₃	H	b ₃	R	Rolling resistance# [N]	Dynamic carrying capacity# [N]	⚖️
451361	RE.FF-080-FBF-SST-N	80	73	12	30	107	39	120	1200	1200	550
451363	RE.FF-100-FBF-SST-N	100	73	12	30	128	35	120	1700	1700	670
451366	RE.FF-125-FBF-SST-N	125	73	12	35	156	37	120	2300	2200	860
451368	RE.FF-150-FBF-SST-N	150	102	20	45	188	56	156	2800	3000	1858
451370	RE.FF-200-FBF-SST-N	200	102	20	50	236	56	156	3200	3000	2400

For rolling resistance and dynamic carrying capacity see [Technical data](#) (on page).

