

## Intermediate shank

for M.1043, technopolymer

### MATERIAL

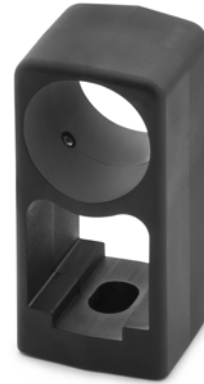
Glass-fibre reinforced polyamide based (PA) technopolymer, black colour, matte finish.

### SCREW

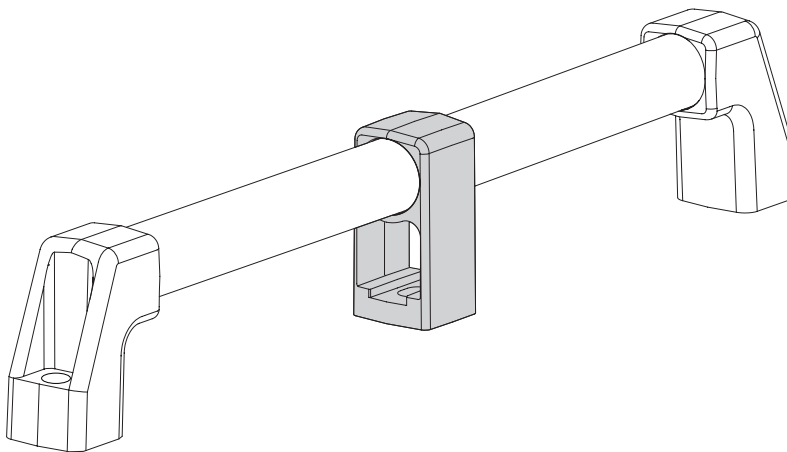
AISI 304 stainless steel.

### FEATURES AND APPLICATIONS

Intermediate shank for tube Ø20 and for tube Ø30, suggested for tube longer than 700 mm.



ELESA Original design



Code	Description	For handle		△
15306	SCM.1043-20	M.1043/20	M.1043 BM/20	48
15305	SCM.1043-30	M.1043/30	M.1043 BM/30	51

