

Pressurised breather caps

double valve, with splash guard, technopolymer

MATERIAL

Polyamide based (PA) technopolymer.
 - Cover: RAL 2004 orange, semi-matte finish, with graphic symbol "valve".
 - Threaded fitting with splash guard: black, semi-matte finish.

PACKING RING

NBR synthetic rubber.

OVERPRESSURE VALVE

Technopolymer with NBR synthetic rubber O-ring and stainless steel spring.
 Set at around 0.350 bar.

SUCTION VALVE

Technopolymer sealing disk in NBR synthetic rubber and stainless steel spring.
 Set at around 0.030 bar.

AIR FILTER

Thermal-bonded polyester (TBP) filter with low pressure drop and high dust holding capacity. Expected filtration class ISO 16890-1 ISO Rating coarse 75%, EN 779:2012 Class G4.

MAXIMUM CONTINUOUS WORKING TEMPERATURE

100°C.

FEATURES

The SFW-P cap maintains a reservoir of air under pressure above the oil level within the limits established in the design stage to avoid deformation of the tank walls. Benefits:

- reduces reservoir air volume intake keeping clean oil and filter
- improves suction pump action during working conditions reducing cavitation phenomenon
- prevents fluid leakage when the system is part of a mobile unit
- reduces foam in fluid.

SFW-P caps are made with a special internal geometry which stops the leakage of the fluid to the outside.

TECHNICAL DATA

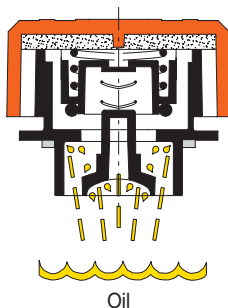
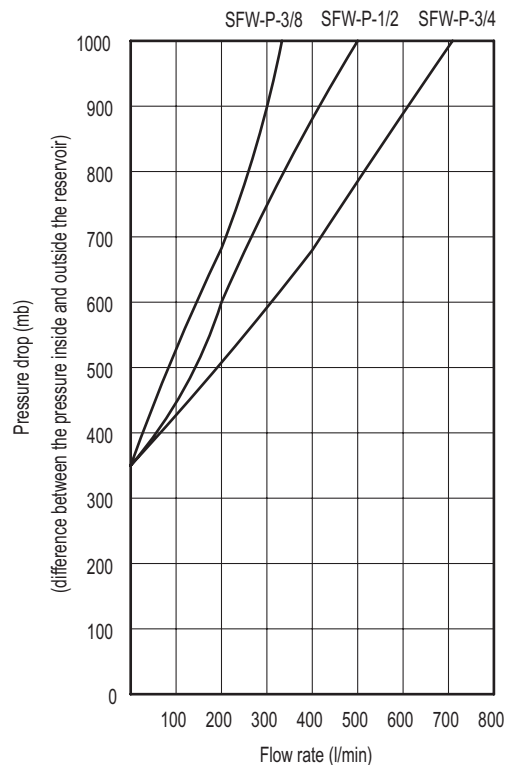
Air flow rate for the different executions of breather caps can be obtained from the diagram on the basis of the difference of air pressure inside and outside the reservoir.

SPECIAL EXECUTIONS ON REQUEST

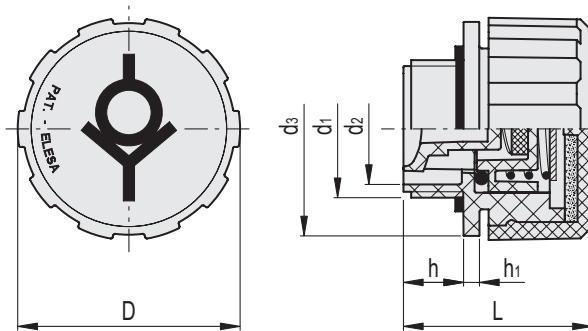
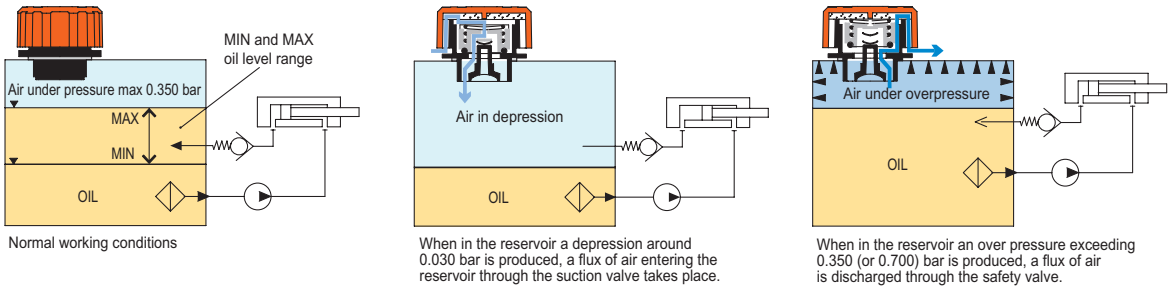
Black cover.



ELESA Original design



SFW-P pressurised breather cap functioning in a hydraulic circuit



Code	Description	D	L	d ₁	d ₂	d ₃	h	h ₁	⚖
54771	SFW-P40-3/8+FPE-350MB	42	36	G 3/8	13	40	12	3	31
54774	SFW-P40-1/2+FPE-350MB	42	36	G 1/2	15	40	11	3	31.8
54777	SFW-P40-3/4+FPE-350MB	42	36	G 3/4	21	40	11	3	33

