

Hinged joint with mounting base and clamp

Technopolymer

CLAMP AND BASE

Glass-fibre reinforced polyamide based (PA) technopolymer, RAL 9005 (C9) black colour or grey RAL 7040 (C33) colour, matte finish.

SCREWS AND NUTS (SUPPLIED)

Cylindrical-head screw with hexagon socket in AISI 304 stainless steel with anti-seizure treatment.

Self-locking nuts in AISI 304 stainless steel.

STANDARD EXECUTIONS

- **TCC-TP-PBF-T**: with teeth.
- **TCC-TP-PBF-S**: without teeth.

FEATURES

Joints comprising bases with external teeth and clamps with internal teeth (36 teeth) have a 10° adjustment angle.

Joints comprising bases and clamps without teeth can be positioned at any angle.

Clamps for tubes with a diameter of 30 ± 0.2 mm.

For smaller diameter tubes, the hole reduction sleeve can be used TCC-A (to be ordered separately).

The "s" grub screws may be replaced by the kit TCC-KS.

TECHNICAL DATA

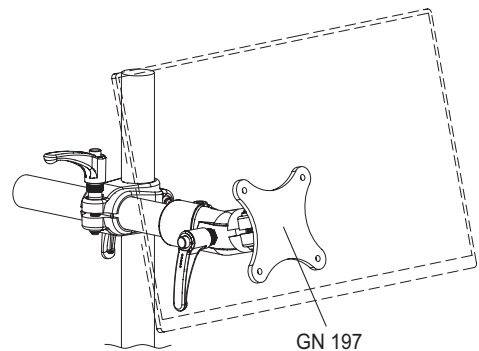
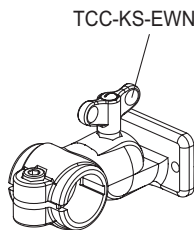
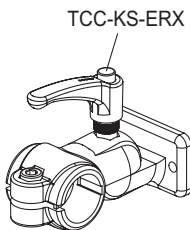
The resistance values shown in the table were measured during laboratory tests at ambient temperature with the screws tightened to the suggested torque "C#".

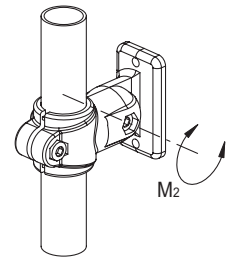
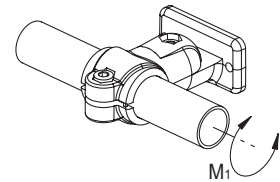
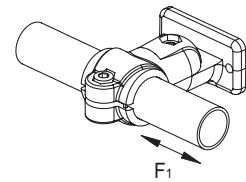
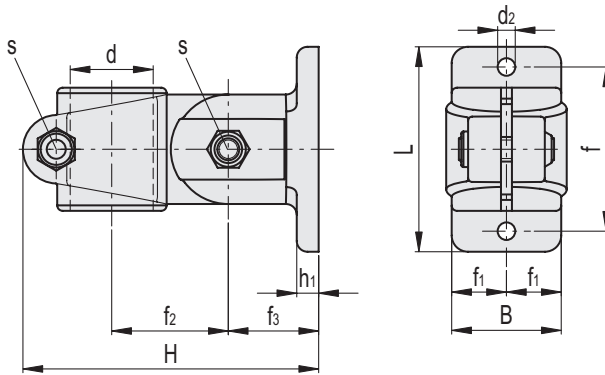
ACCESSORIES ON REQUEST (TO BE ORDERED SEPARATELY)

- TCC-A: reduction sleeves.
- TCC-KS: clamping kit.
- GN 197: monitor mounts.
- TCC-KV: screws and clamping nuts.
- GN 990: connecting tubes.



ELESA Original design





TCC-TP-PBF-T

STAINLESS STEEL

Code	Description	d	L	B	H	d2	f ±0.2	f1	f2	f3	h1	s	C#	F1*	M1**	M2***	⚖️
600851-C9	TCC-TP-PBF-30-T-C9	30	75	40	107	6.5	60	20	42	33	7.5	M8	12	3000	33	100	145
600851-C33	TCC-TP-PBF-30-T-C33	30	75	40	107	6.5	60	20	42	33	7.5	M8	12	3000	33	100	145

TCC-TP-PBF-S

STAINLESS STEEL

Code	Description	d	L	B	H	d2	f ±0.2	f1	f2	f3	h1	s	C#	F1*	M1**	M2***	⚖️
600852-C9	TCC-TP-PBF-30-S-C9	30	75	40	107	6.5	60	20	42	33	7.5	M8	12	3000	33	4	145
600852-C33	TCC-TP-PBF-30-S-C33	30	75	40	107	6.5	60	20	42	33	7.5	M8	12	3000	33	4	145

Suggested torque for screw assembly.

* Resistance to tube pull out

** Resistance to tube rotation

*** Resistance to joint rotation.

