

## T-shaped connecting clamps

### Technopolymer

#### CLAMP

Glass-fibre reinforced polyamide based (PA) technopolymer, RAL 9005 (C9) black colour or grey RAL 7040 (C33) colour, matte finish.

#### SCREWS AND NUTS (SUPPLIED)

Cylindrical-head screw with hexagon socket in AISI 304 stainless steel with anti-seizure treatment.  
Self-locking nuts in AISI 304 stainless steel.

#### FEATURES

Clamps for tubes with a diameter of  $18 \pm 0.2$  and  $30 \pm 0.2$  mm.  
For smaller diameter tubes, the hole reduction sleeve TCC-A can be used (ordered separately).  
The "s" grub screws may be replaced by the kit TCC-KS.

#### TECHNICAL DATA

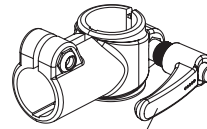
The resistance values shown in the table were measured during laboratory tests at ambient temperature with the screws tightened to the suggested torque "C#".

#### ACCESSORIES ON REQUEST (TO BE ORDERED SEPARATELY)

- TCC-A: reduction sleeves.
- TCC-KS: clamping kit.
- TCC-KV: screws and clamping nuts.
- GN 990: connecting tubes.



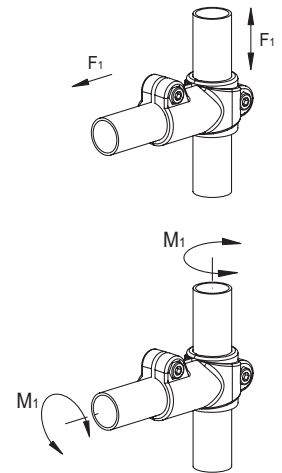
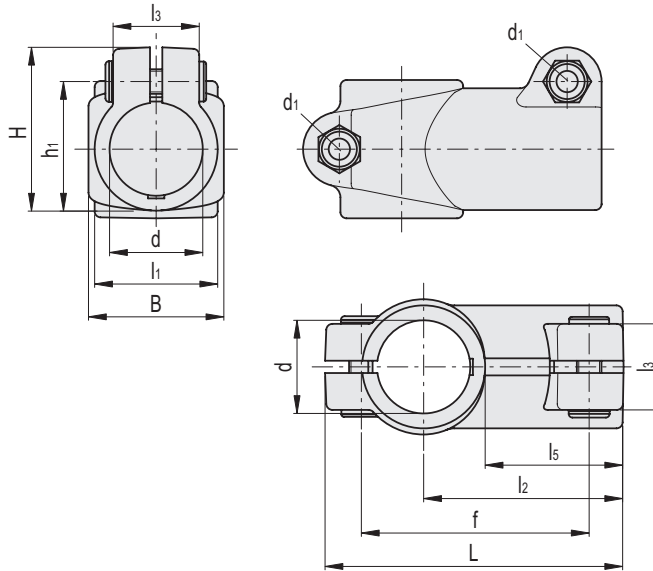
ELESA Original design



TCC-KS-ERX



TCC-KS-EWN



C9 RAL9005    C33 RAL7040

STAINLESS STEEL

| Code       | Description      | d  | L  | B  | H  | f  | h1 | l1   | l2   | l3   | l5   | s  | C# [Nm] | F1* [N] | M1** [Nm] |     |
|------------|------------------|----|----|----|----|----|----|------|------|------|------|----|---------|---------|-----------|-----|
| 600151-C9  | TCC-TS-18-18-C9  | 18 | 65 | 29 | 34 | 49 | 26 | 26.5 | 43.5 | 20.5 | 30.5 | M6 | 5       | 1450    | 14        | 42  |
| 600151-C33 | TCC-TS-18-18-C33 | 18 | 65 | 29 | 34 | 49 | 26 | 26.5 | 43.5 | 20.5 | 30.5 | M6 | 5       | 1450    | 14        | 42  |
| 600251-C9  | TCC-TS-30-30-C9  | 30 | 96 | 44 | 53 | 74 | 42 | 40.5 | 64.5 | 28   | 45.5 | M8 | 12      | 1650    | 17        | 113 |
| 600251-C33 | TCC-TS-30-30-C33 | 30 | 96 | 44 | 53 | 74 | 42 | 40.5 | 64.5 | 28   | 45.5 | M8 | 12      | 1650    | 17        | 113 |

- # Suggested torque for screw assembly.
- \* Resistance to tube pull out
- \*\* Resistance to tube rotation