

## Side mounting top brackets

### Technopolymer

#### MATERIAL

Glass-fibre reinforced polyamide based (PA) technopolymer, black colour, matte finish.

#### STANDARD EXECUTIONS

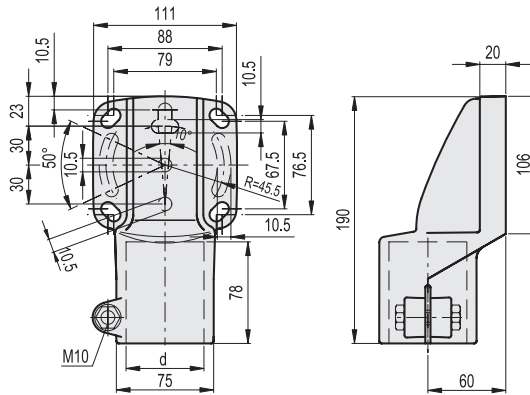
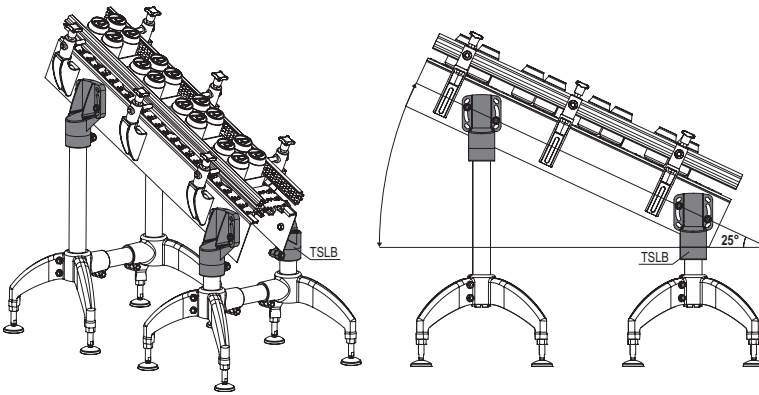
- **TSLB-A**: zinc-plated steel M10 screw, nut and washer.
- **TSLB-SST**: AISI 304 stainless steel M10 screw, nut and washer.

#### FEATURES

Maximum tightening torque for screw assembly 35 Nm.



For applications with max. 25° inclination



#### TSLB-A

| Code   | Description  | d Tube (mm) | d Tube (GAS) | ⚖   |
|--------|--------------|-------------|--------------|-----|
| 419794 | TSLB-42-A    | 42.4        | 1"1/4        | 435 |
| 419792 | TSLB-48-A    | 48.3        | 1"1/2        | 430 |
| 419790 | TSLB-60-A    | 60.3        | 2"           | 425 |
| 419796 | TSLB-45x45-A | 45          | -            | 430 |

#### TSLB-SST

STAINLESS STEEL

| Code   | Description    | d Tube (mm) | d Tube (GAS) | ⚖   |
|--------|----------------|-------------|--------------|-----|
| 419795 | TSLB-42-SST    | 42.4        | 1"1/4        | 435 |
| 419793 | TSLB-48-SST    | 48.3        | 1"1/2        | 430 |
| 419791 | TSLB-60-SST    | 60.3        | 2"           | 425 |
| 419797 | TSLB-45x45-SST | 45          | -            | 430 |