

Self-aligning brackets

for shafts at 90°, technopolymer

BRACKET

Glass-fibre reinforced polyamide based (PA) technopolymer, black colour, matte finish.

BUSHINGS, WASHERS AND STOP RING

AISI 304 stainless steel.

BEARING

High quality with traceability codes. Chrome steel.

LUBRICATOR

Nickel-plated brass.

PACKING RINGS

NBR rubber.

COVER

Glass-fibre reinforced polypropylene based (PP) technopolymer, RAL 7015 grey colour, matte finish.
Closed cap for head bracket or for pass-through shafts.

STANDARD EXECUTIONS

- **UCP-T**: head bracket with closed cover.
- **UCP-P**: bracket for pass-through shaft with drilled cover and NBR rubber packing ring for rotating shafts.

FEATURES AND APPLICATIONS

Overall dimensions are in compliance with ISO 3228.
A system of completely sealed packing rings assures the protection of the bearing from dirt ingress.
Max shaft misalignment = 2,5°.



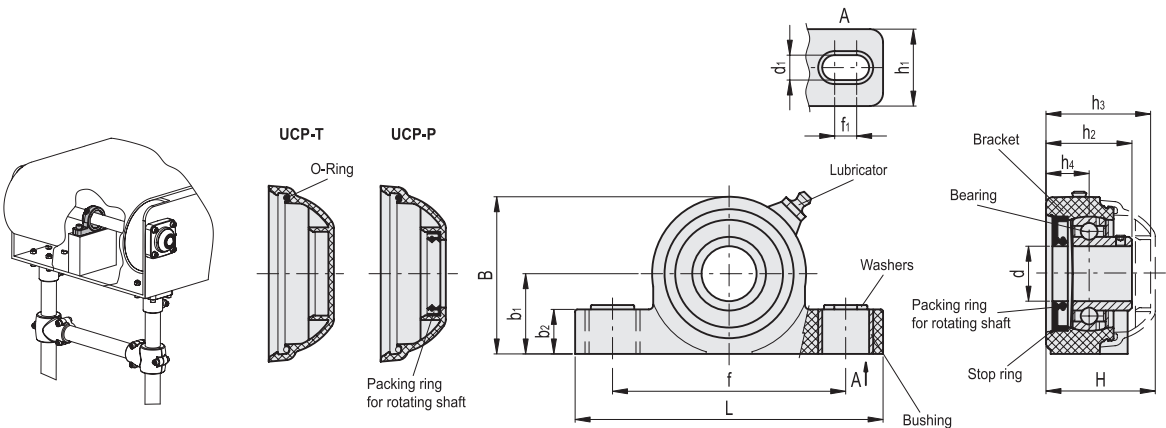
INSTRUCTIONS OF USE

Assembly with shafts without end stops. For optimum operation, we recommend periodic lubrication with a common grease resistant to high temperatures and oxidation.

SPECIAL EXECUTIONS ON REQUEST

- AISI 440C stainless steel bearing.
- Bearing in inch sizes.
- Brackets for shafts with diameters in different sizes.
- Brackets in polypropylene based (PP) technopolymer, packing rings and oil seal type VITON®*.

* Registered trademark by DuPont Dow Elastomers.



Code	Description	d	d1	f1	H	L	B	f	b1	b2	h1	h2	h3	h4	Bearing static load [N]	Bearing dynamic load [N]	Bracket load [N]	
419553	UCP.205-C-25-T	25	13	10	51.7	140	71.5	106	36.5	20	35	39	49	19.6	7000	14000	6000	333
419563	UCP.206-C-30-T	30	13	10	55.7	163	84.5	121	43	20	36	41.7	53	20.7	11000	19000	9000	456
419533	UCP.205-C-25-P	25	13	10	51.7	140	71.5	106	36.5	20	35	39	-	19.6	7000	14000	6000	339
419543	UCP.206-C-30-P	30	13	10	55.7	163	84.5	121	43	20	36	41.7	-	20.7	11000	19000	9000	463

